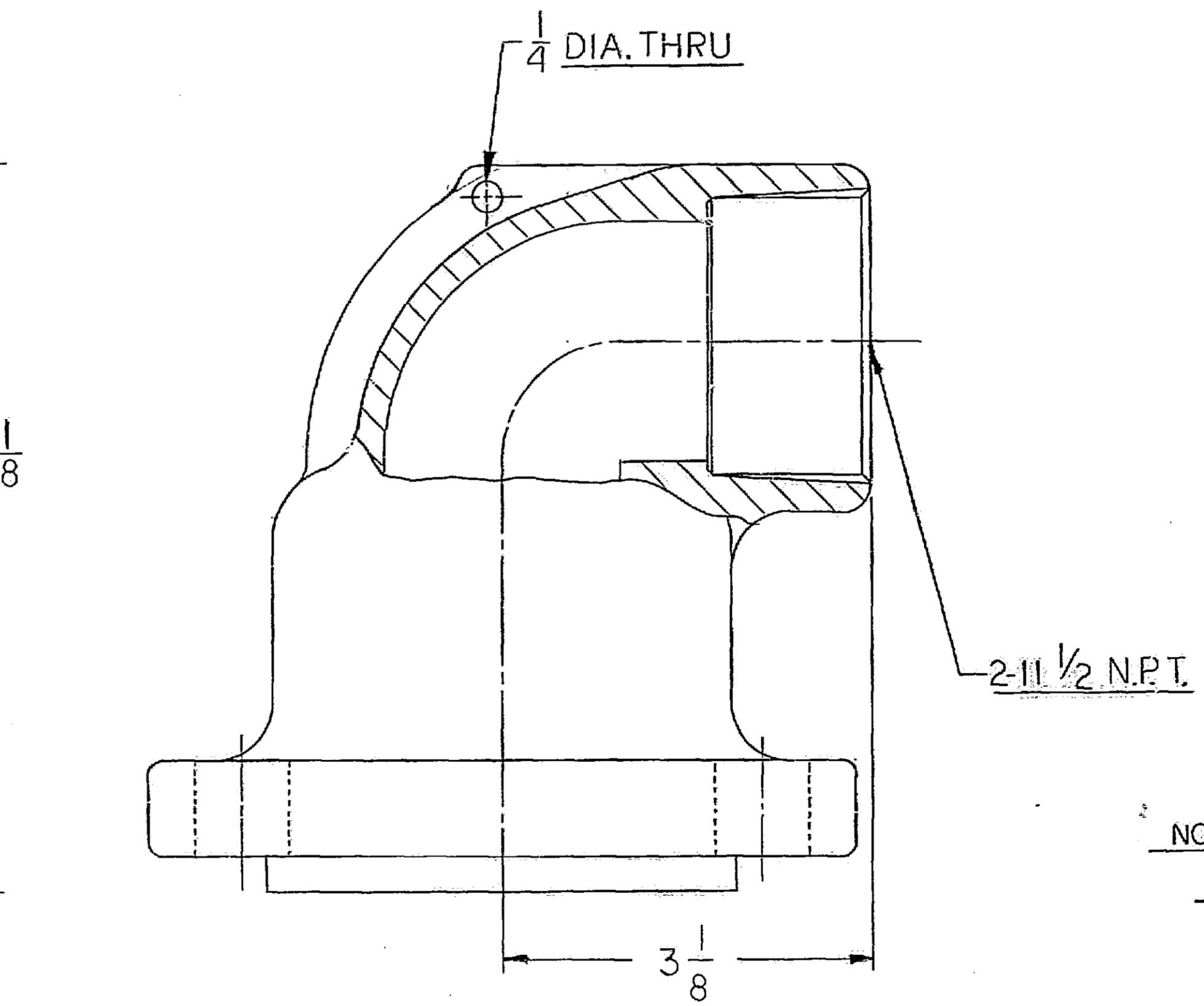
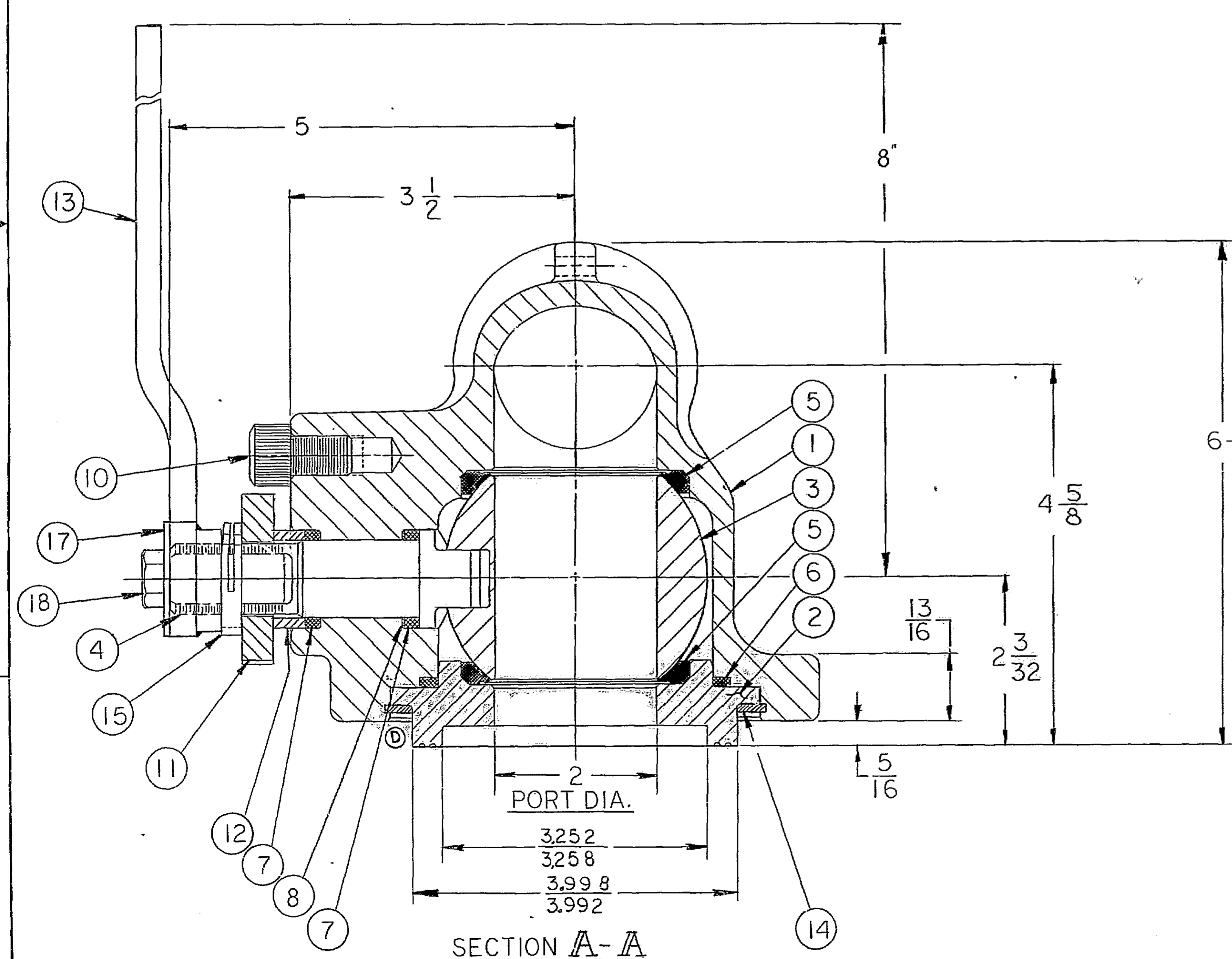
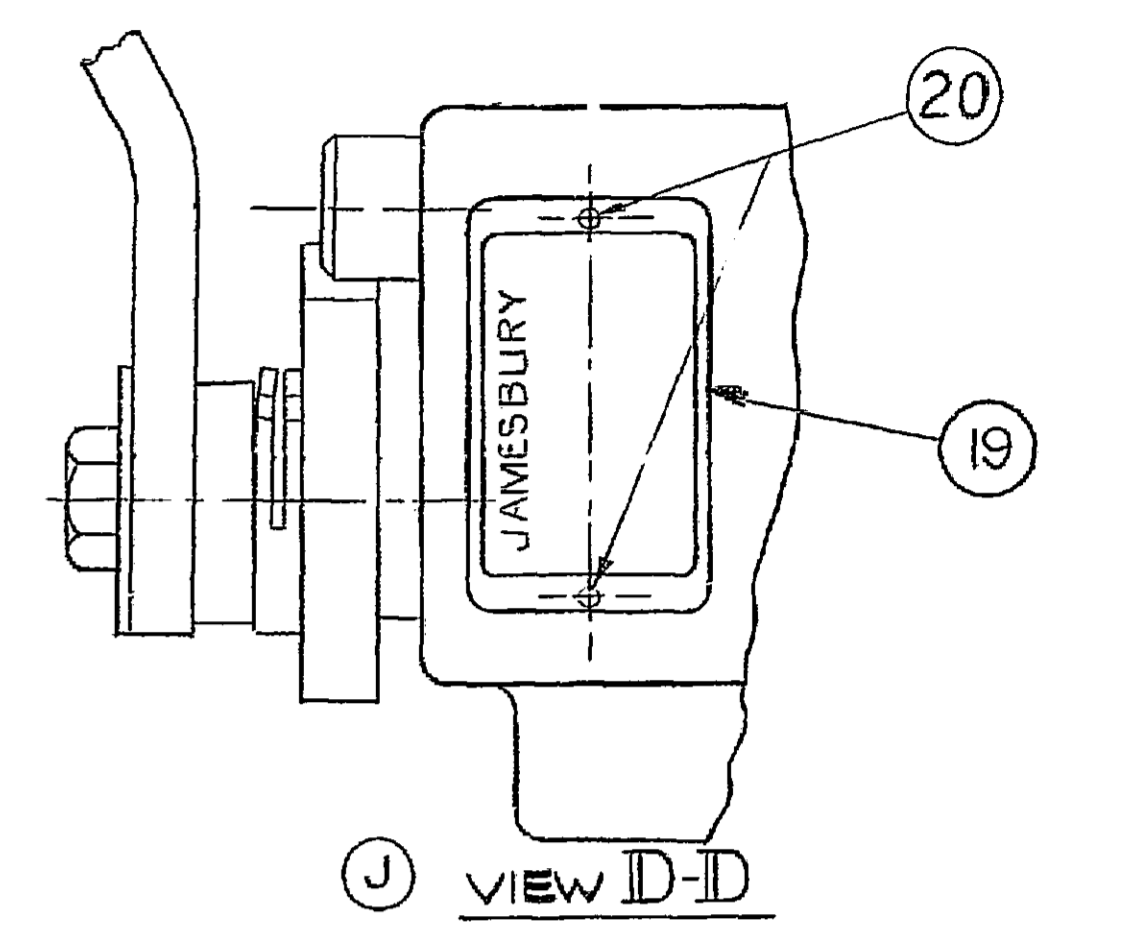
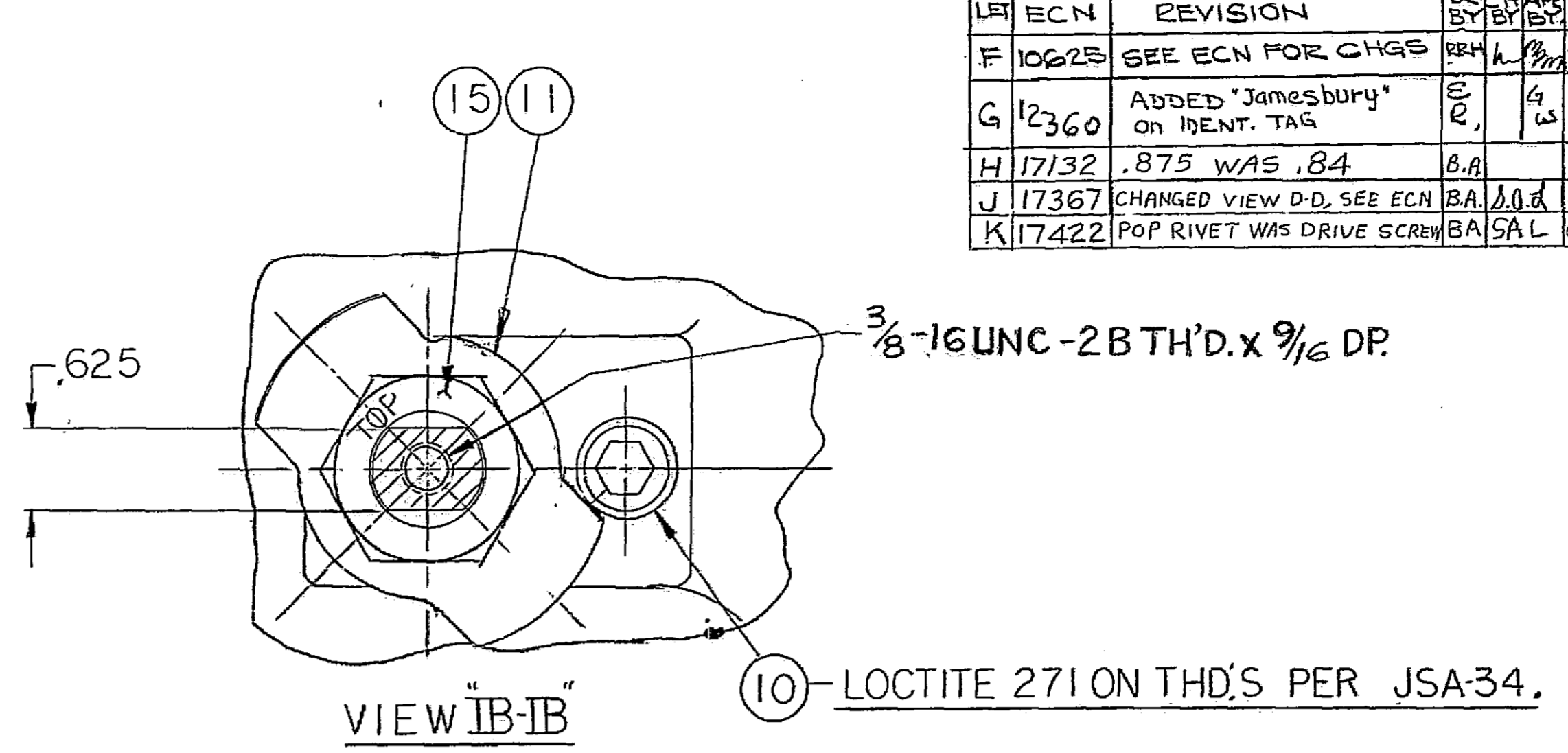
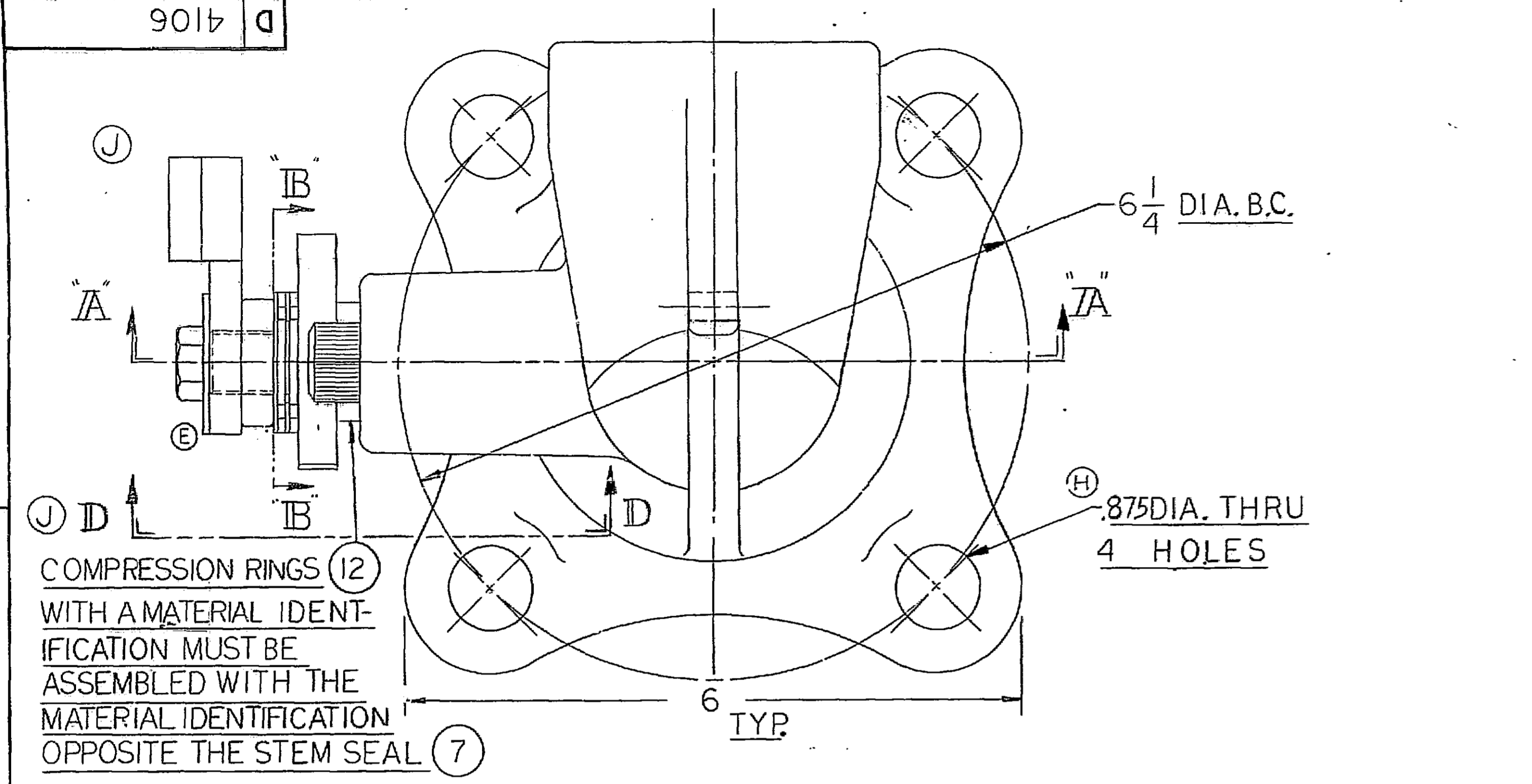


9017 D

LET	ECN	REVISION	DR	CHK	DATE
F	10625	SEE ECN FOR CHGS	ERL	L	27 AUG 74
G	12360	ADDED 'Jamesbury' ON IDENT. TAG	ER	LS	10/19/87
H	17132	.875 WAS .84	B.A.		
J	17367	CHANGED VIEW D-D, SEE ECN	BA	LD	2/5/99
K	17422	POP RIVET WAS DRIVE SCREW	BA	SAL	6/16/99

LET	ZONE	ECN	REVISION	DR	CHK	DATE
A	7079	SEE ECN FOR CHGS	JRW	WV	SA	9/6/78
B	7122	REDRAWN TO AGREE WITH DETAILS.	JRW	MY	SA	11/4/78
C	7504	ADDED VIEW D-D, AND ITEMS 19 & 20	S	MD	SA	9/12/78
D	7948	CHANGE VIEW D-D	A	SA	SA	26-FEB 80
E	8263	PICTORIAL CHANGE TO HANDLE	S	MD	SA	JULY 780



ITEM NO.	PART NAME	QTY.	MATERIAL SPEC.
1	BODY	1	ASTM A-216 WCB
2	INSERT	1	ASTM A-515
3	BALL	1	ANY AISH-11XX OR 316 ST. ST.
4	STEM	1	AISI C-11 4 4 OR 316 ST. ST.
5	SEAT	2	PTFE 100 %
6	BODY SEAL	1	ASTMA-167
7	STEM SEAL	2	PTFE 100 %
8	SEC. STEM SEAL	1	GRAFOIL GR. G.T.A.
10	STOP SCREW	1	ST. ST'L. ANY 300 SERIES
11	INDICATOR STOP	1	HR. S 1015 OR TYPE 18-8 AISI 302, 303, 304
12	COMP. RING	1	AISI 302, 303, 304 TYPE 18-8
13	HANDLE	1	CARBON STEEL J-COAT
14	SPIROLOX RING	1	AISI TYPE 302
15	STEM NUT	1	CARBON STEEL
17	WASHER	1	CARBON STEEL
18	HEX HD. CAP SCR.	1	CARBON STEEL
19	IDENT. TAG	1	ST. ST'L. ANY 300 SERIES
20	POP RIVET	2	ST. ST'L. ANY 300 SERIES

NOTES:
1. FOR INSTALLATION, MAINTENANCE & OPERATING INSTRUCTIONS SEE IMO-R2.

jamesbury CANADA	ALL
jamesbury	
jamesbury NIPPON	
jamesbury SINGAPORE	
jamesbury UFSEAL(GERMANY)	
OYM (MEXICO)	

DEFINITION OF SYMBOLS (Total Indicator Reading)	THIS DRAWING AND ALL INFORMATION CONTAINED HEREIN ARE THE PROPERTY OF THE JAMESBURY CORP. AND ARE NOT TO BE USED EXCEPT AS AUTHORIZED BY SAID CORP.	MATERIAL SPECIFICATIONS	IDENTIFY MARK
<ul style="list-style-type: none"> ○ CONCENTRICITY ○ ROUNDNESS ○ FLATNESS ≡ SYMMETRY PARALLEL ⊥ PERPENDICULAR 	UNLESS OTHERWISE NOTED TOLERANCE FRACTIONAL ± 1/32 TWO PLACE DECIMAL ± .01 THREE PLACE DECIMAL ± .003 ANGULAR ± 1° ALL MACHINE SURFACES TO BE 250 BREAK ALL SHARP CORNERS 1/64" MAX. REMOVE ALL BURRS	JAMESBURY SPECIFICATIONS APPLICABLE ON THIS DWG. MAKE FROM PART NO. JSA-17 JSA-34 JMA-98 DO NOT SCALE DRAWING TITLE - ASSEMBLY - 2" GRAB FULLPORT FLANGED VALVE jamesbury CORP. WORCESTER, MASS.	SCALE 1:1 DATE 9/21/77 DATE 4/4/78 DATE 4/5/78 DR. BY JRW DATE 9/21/77 DATE 4/4/78 DATE 4/5/78 APR. BY R-7