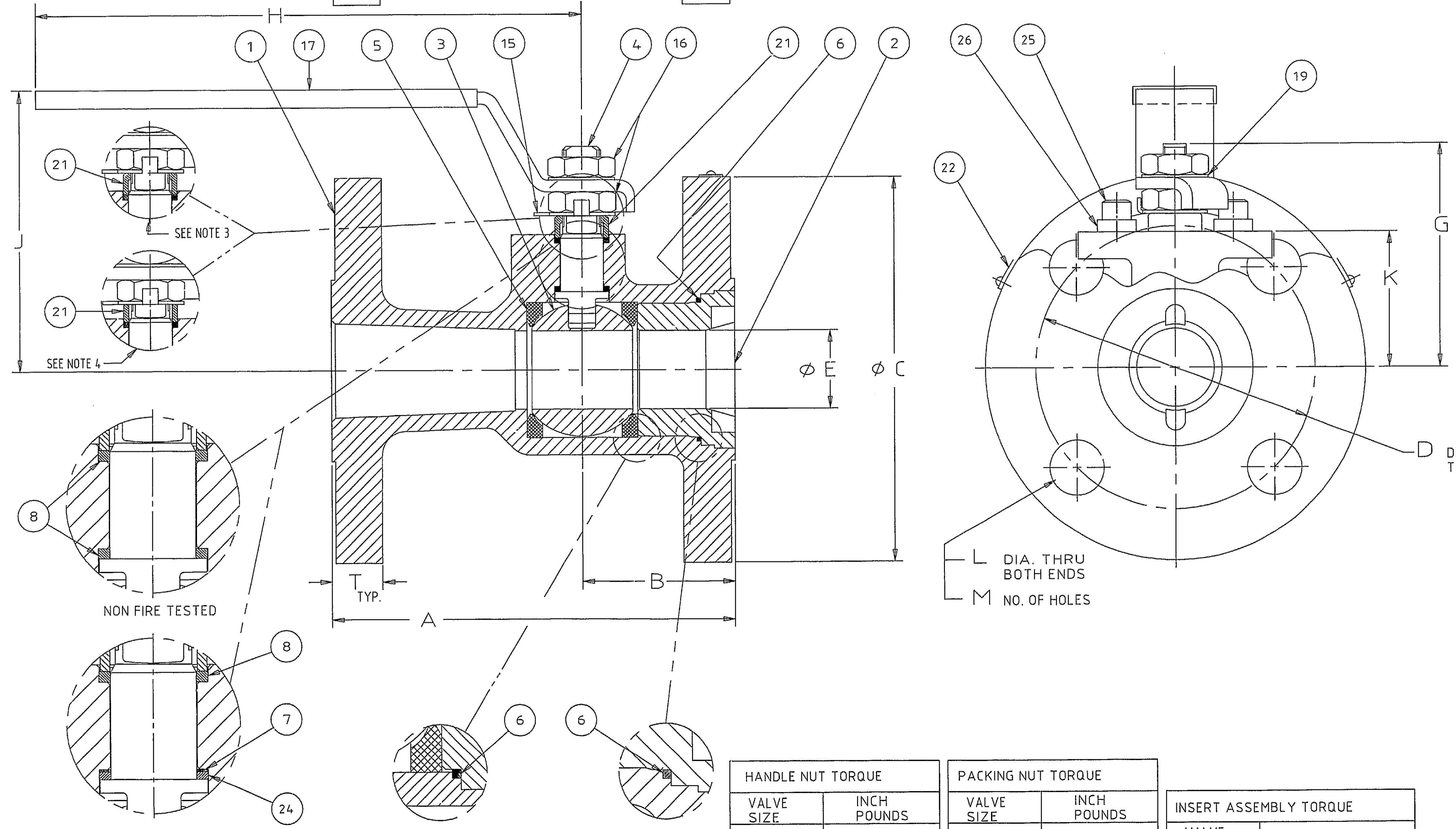
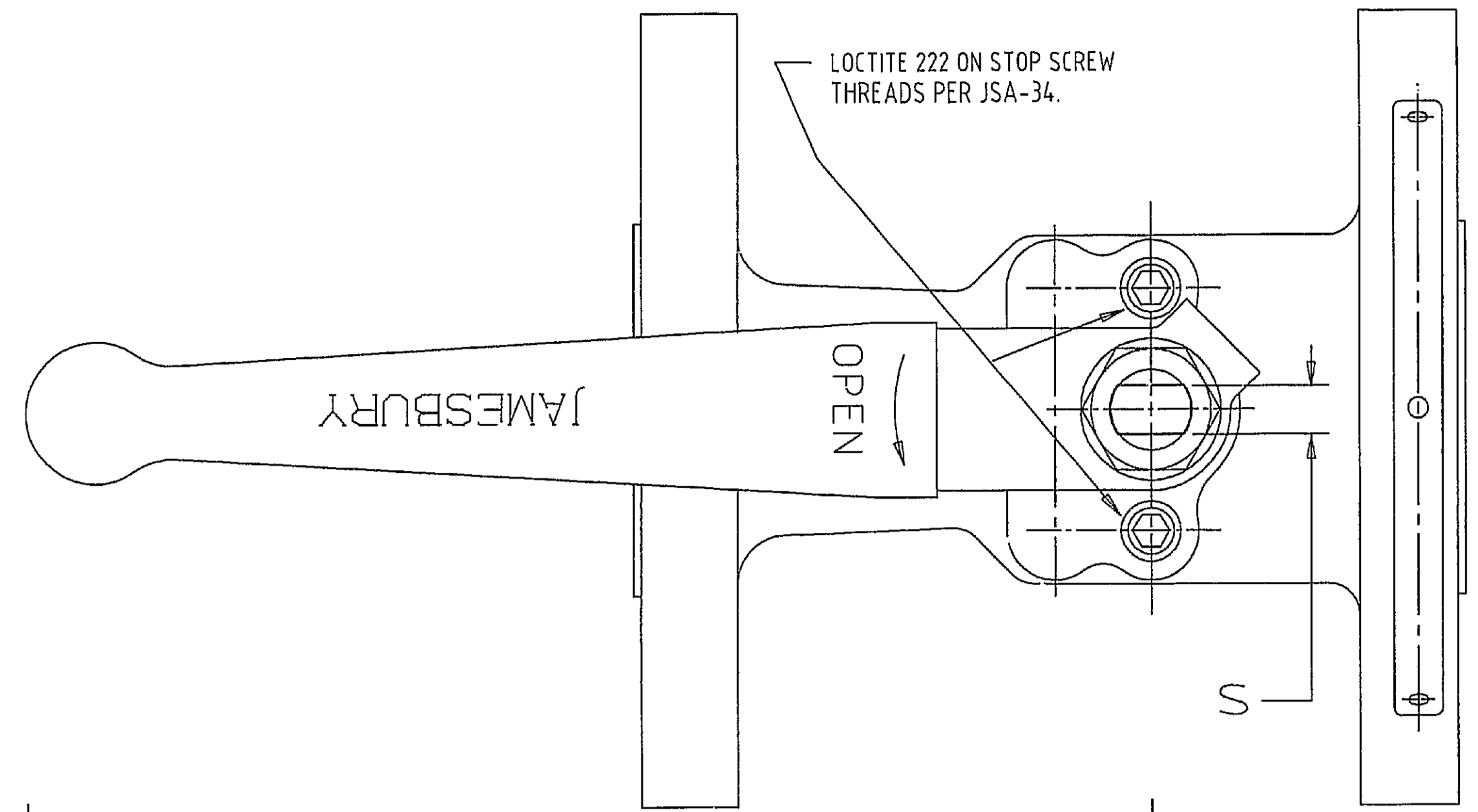


VALVE SIZE	ALL DIMENSIONS ± 0.062												
	A	B	C	D	E	G	H	J	K	L	M	S	T
3/4	4.63	2.06	3.88	2.75	0.75	2.63	6.69	3.69	1.38	0.63	4	0.31	0.63
1"	5.00	2.19	4.25	3.13	1.00	2.75	6.69	3.81	1.50	0.63	4	0.31	0.63
1 1/2	6.50	2.44	5.00	3.88	1.50	3.75	8.81	4.63	2.38	0.63	4	0.38	0.69

LET	ECN	REVISION	DRAWN	APPVD.	DATE
A	15087	5.96 WAS 4.56	PJD	RET	2-2-94
B	16534	SEE ECN FOR DETAILS	WRD	RET	7-16-97
C	16952	SEE ECN FOR DETAILS	BA	PJD	2-20-98
D	17045	REMOVED 1/2" SIZE SEE ECN FOR DETAILS	BA	PJD	4/16/98
E	17338	SEE ECN FOR DETAILS	BA	PJD	13 JAN 99



- NOTES:
- FOR INSTALLATION, MAINTENANCE AND OPERATING INSTRUCTIONS SEE IMO-050.
 - TAG ATTACHMENT PER JMA-98.
 - 3/4 THRU 1-1/2 6000 SERIES VALVES USE ANTI-ROTATION COMPRESSION RING WITH 22, 35, AND 36 TRIM ONLY.
 - ALL 3/4 THRU 1-1/2 6000 SERIES WITH TRIM MATERIALS NOT NOTED ABOVE USE STRAIGHT COMPRESSION RING.

ITEM NO.	PART NAME
1	BODY
2	INSERT
3	BALL
4	STEM
5	SEAT
6	BODY SEAL
7	EMERGENCY STEM SEAL
8	STEM SEAL
15	STEM NUT LOCK
16	STEM NUT
17	HANDLE
19	SHAKEPROOF WASHER
21	COMPRESSION RING
22	IDENTIFICATION TAG
24	STEM SEAL
25	SOC HEAD CAP SCREW
26	STOP SCREW SPACER

HANDLE NUT TORQUE		PACKING NUT TORQUE		INSERT ASSEMBLY TORQUE	
VALVE SIZE	INCH POUNDS	VALVE SIZE	INCH POUNDS	VALVE SIZE	
3/4, 1"	60-80	3/4, 1"	100-110	3/4" - 1" (D)	125-150 FT LBS
1-1/2	130-150	1-1/2	175-185	1-1/2	170-200 FT LBS

THIS DRAWING AND ALL INFORMATION CONTAINED HEREIN ARE THE PROPERTY OF JAMESBURY INC. AND ARE NOT TO BE USED EXCEPT AS AUTHORIZED BY JAMESBURY INC. UNLESS OTHERWISE NOTED DIMENSIONING, TOLERANCING, & DRAWING INTERPRETATION IS IN ACCORDANCE WITH ANSI Y14.5M

ANGLES = 25° FINISH = RZ REMOVE SHARP EDGES AND CORNERS TO R2-R3 RADIUS OR CHAMFER, DIMENSIONS IN INCHES.

MATERIAL TYPE: MAKE FROM PART NO. DO NOT SCALE DRAWING. SCALE: 1:1

TITLE: ASSEMBLY 3/4 - 1 1/2" 6000 SERIES MOD "C" 150# FLANGED VALVE

DRAWN: PRRH DATE: 5-22-91

APP'D: DBC DATE: 6-24-91

JAMESBURY VALVE CONTROLS GROUP WORCESTER MA, U.S.A.

SIZE: D DWG NO: 5082 REV: E

SHEET 1 OF 1