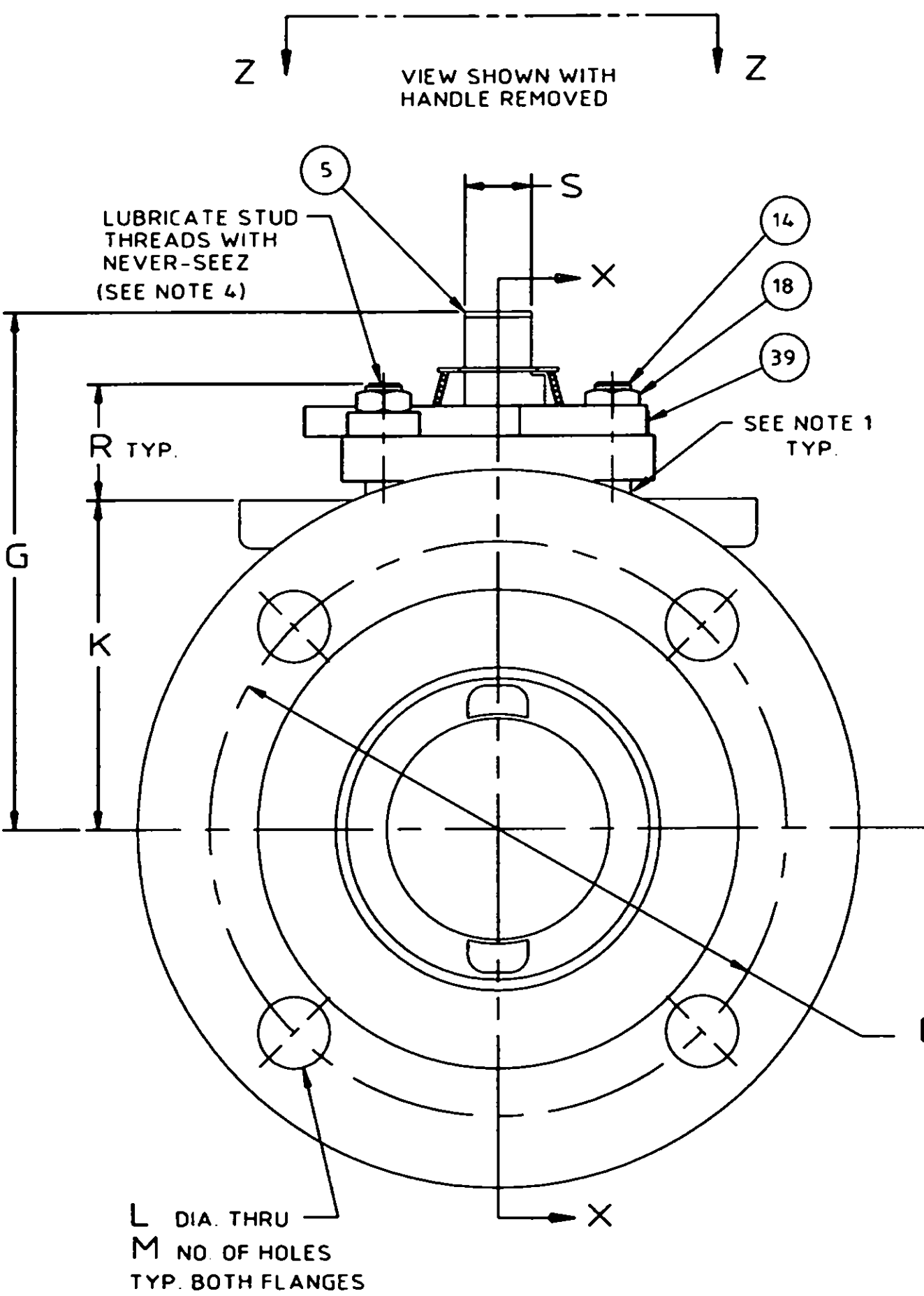
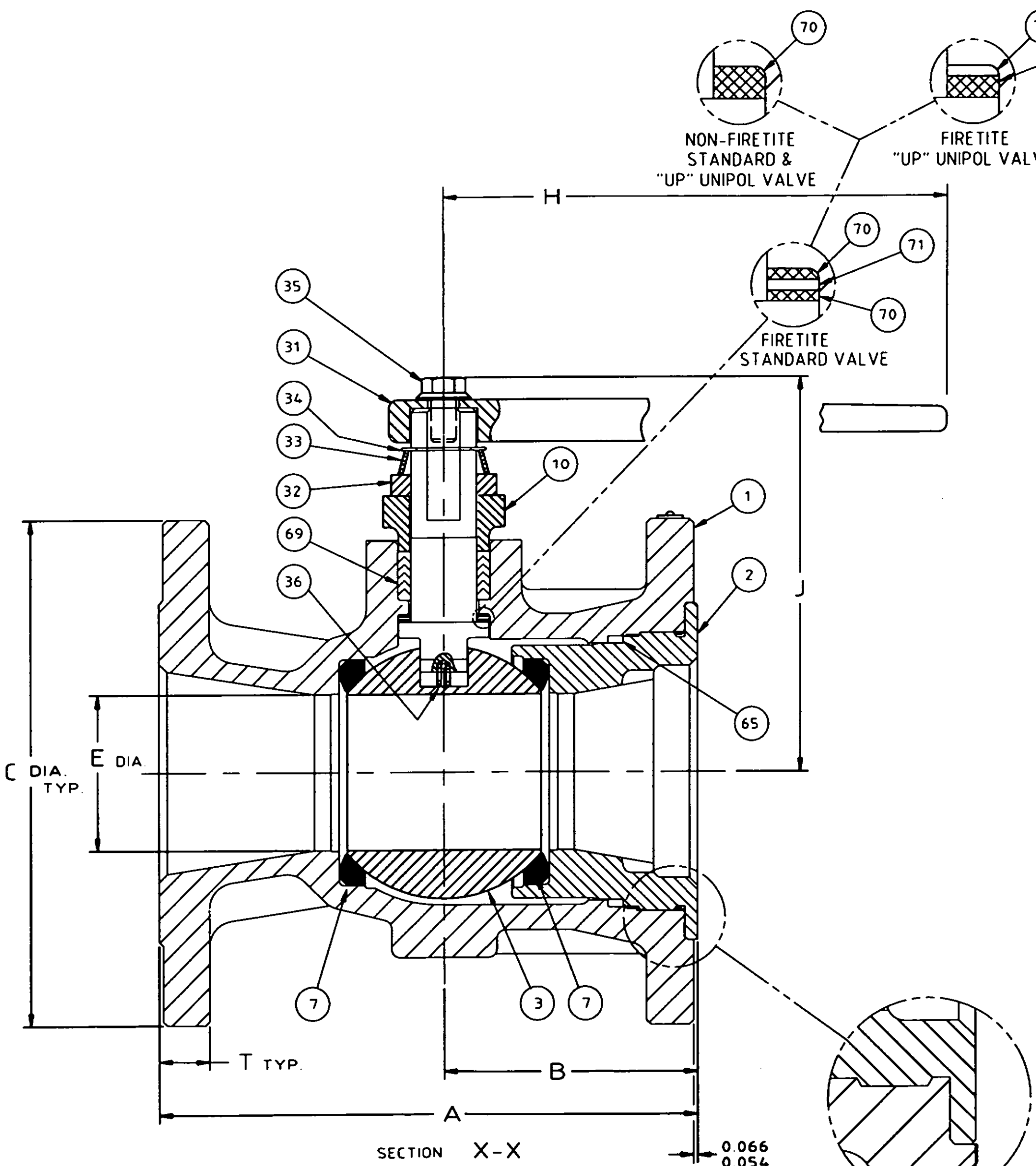


SUPERSEDED		SUPERSEDED BY			
LET	ECN	REVISION	DR.	APPROV.	DATE
	14 345	D-5152 WAS P-11944	GFW	GRW	24 JULY 92
A	14 430	SEE ECN FOR CHANGES	EVA	RJD	16 OCT 92
B	14 681	SEE ECN FOR CHANGES	JJK	ALD	27 APR 93
C	14 864	SEE ECN FOR CHANGES	GFW	AD	15 OCT 93
D	15 274	SEE ECN FOR CHANGES	JJK	ALD	27 APR 94
E	15 690	SEE ECN FOR CHANGES	SRB	ALD	28 MAY 95
F	16 393	SEE ECN FOR CHANGES	WRD		2-3-97
G	18 034	SEE ECN FOR CHANGES	BA	PJD	27 MAR 01
H	18 182	SEE ECN FOR CHANGES	BA	PJD	2 OCT 01
J	20 008	SEE ECN FOR CHANGES	PJD	DRE	02/2/08



- NOTES:
1. USE LOCTITE #271 ON BONNET STUD THREADS INTO BODY PER JSA-34.
  2. ATTACH IDENTIFICATION TAG PER JMA-98.
  3. FOR INSTALLATION, MAINTENANCE & OPERATING INSTRUCTIONS SEE IMO-299.
  4. WHERE IDENTIFICATION APPEARS ON NUT, OR STUD FACE ASSEMBLY WITH IDENTIFICATION ALWAYS VISIBLE.

CRITICAL DIMENSION MUST BE HELD FOR PROPER ASSEMBLY.

0.066  
0.054

0.012  
0.000

6" 7150 ONLY

THIS DRAWING AND ALL INFORMATION CONTAINED HEREIN ARE THE PROPERTY OF JAMESBURY, INC. AND ARE NOT TO BE USED EXCEPT AS AUTHORIZED BY JAMESBURY, INC.

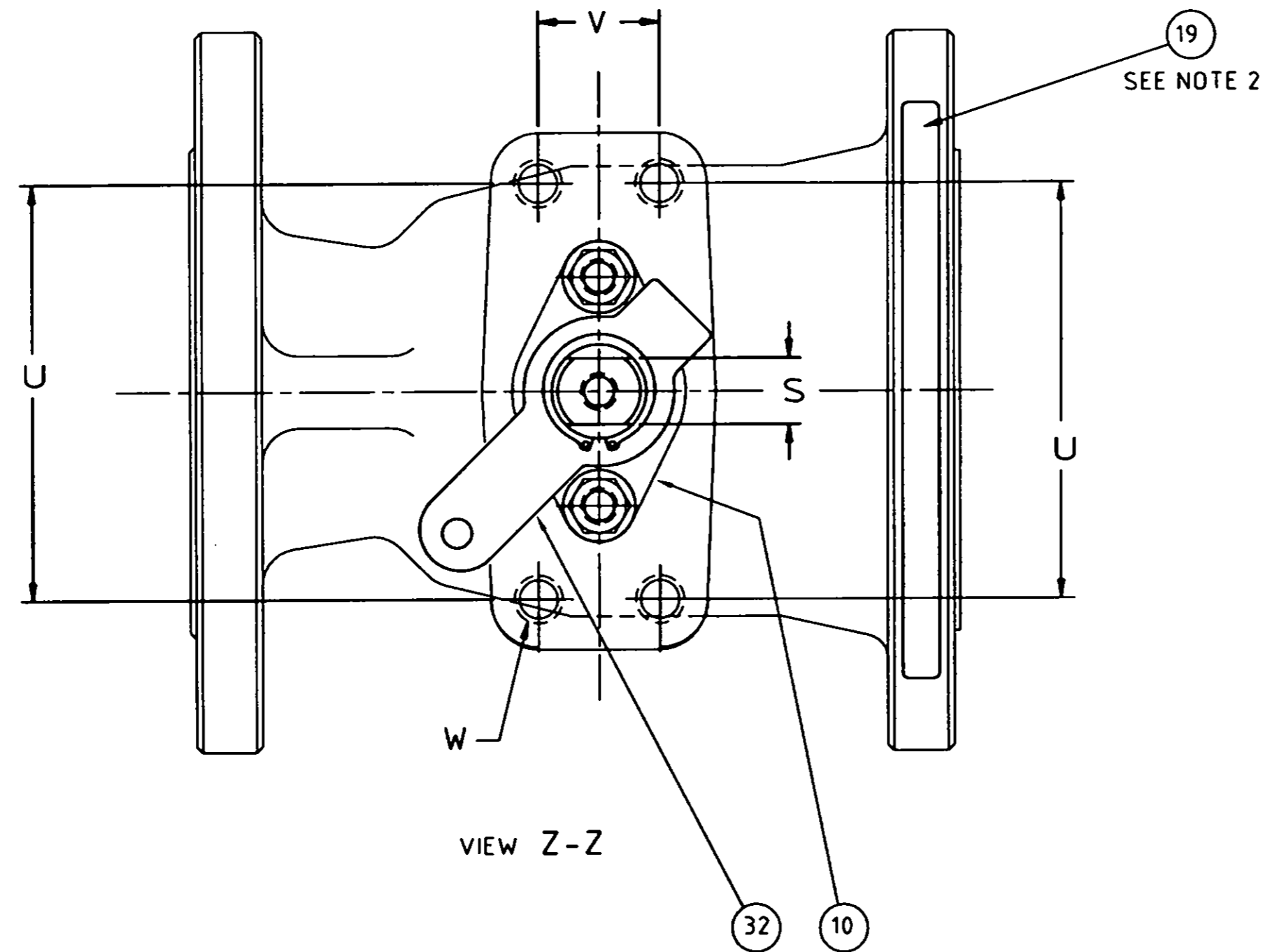
UNLESS OTHERWISE NOTED DIMENSIONS, TOLERANCES, & DRAWING INTERPRETATION IS IN ACCORDANCE WITH ASME Y14.5M

ANGLES - 45° FINISH - 100

REMOVE SHARP EDGES AND CORNERS TO R2 - R3 RADIUS OR CHAMFER, SPECIFIED IN MICHS.

PARTIAL CODE	PARTIAL TYPE	PARTIAL SPECIFICATIONS	DEPT. NO.
JSA-1, JSA-10	JSA-17	JSA-34	JST-2
TITLE: ASSEMBLY 3", 4" & 6" 7150 RED PORT VALVE (R.F.)			SCALE: 1:1
DRAWN: GFW		DATE: 24 JUL 92	
APPROV: GRW		DATE: 24 JUL 92	
JAMESBURY A HELESAUTOMATION COMPANY WORCESTER MA, U.S.A.			REV: J
SIZE: D	DWG NO: 5152	SHEET 1 OF 2	

SUPERSEDED		SUPERSEDED BY			
LET	CON	REVISION	DR	APPVD	DATE
A	14430		EVA	PJD	16OCT92
B	14681		JJK	ALD	27APR93
C	14864		GFW	AD	15 OCT 93
D	15274		JJK	ALD	27APR94
E	15690		SRB	ALD	26MAY95
F	16393		WRD		2-3-97
G	18034		BA	PJD	27 MAR 01
H	18182		BA	PJD	2 OCT 01
J	20008		PJD	DRE	12/12/08



ITEM NO.	PART NAME	QTY.
1	BODY	1
2	INSERT	1
3	BALL	1
5	STEM	1
7	SEAT	2
10	COMPRESSION PLATE	1
14	BONNET STUD	2
18	BONNET STUD NUT	2
19	IDENTIFICATION TAG	1
31	HANDLE	1
32	INDICATOR STOP	1
33	SPRING	1
34	RETAINING RING	1
35	HANDLE SCREW	1
36	GROUNDING SPRING	1
39	STOP BUSHING	2
65	BODY GASKET	1
69	PACKING/V RING SET	1
70	STEM BEARING	*
**	71 SECONDARY STEM SEAL	1

\* QTY. 2 ON FIRETITE VALVES  
 QTY. 1 ON NON-FIRETITE & ALL UNIPOL VALVES  
 \*\* FIRETITE VALVES ONLY

VALVE SIZE	ALL DIMENSIONS ± 0.06 EXCEPT AS NOTED															
	A	B	C	D	E	G	H	J	K	L	M	S	T	U	V	W
3"	8.00	3.75	7.50	6.00	2.31	5.40	14.00	5.85	3.44	0.75	4	0.69	0.81	4.33	1.26	1/2-13
4"	9.00	4.00	9.00	7.50	3.00	5.89	14.00	6.32	3.93	0.75	8	0.69	1.00	4.33	1.26	1/2-13
6"	10.50	4.25	11.00	9.50	4.00	8.32	19.94	8.78	5.51	0.88	8	0.97	1.06	5.10	1.26	1/2-13

DEPTH TO SET BONNET STUDS	
VALVE SIZE	R
3	1.24
4	1.24
6	1.78

THIS DRAWING AND ALL INFORMATION CONTAINED HEREIN ARE THE PROPERTY OF JAMESBURY, INC. AND ARE NOT TO BE USED EXCEPT AS AUTHORIZED BY JAMESBURY, INC.

UNLESS OTHERWISE NOTED DIMENSIONING, TOLERANCING, & DRAWING INTERPRETATION IS IN ACCORDANCE WITH ASME Y14.5M

ANGLES: 1/8" FINISH: 1/8" REMOVE SHARP EDGES AND CORNERS TO R2 - R3 RADII OR CHAMFER, DIMENSIONS IN INCHES.

INTERNAL CODE	INTERNAL TYPE	INTERNAL SPECIFICATIONS	SCALE
		DO NOT SCALE DRAWING	1:1
TITLE:		DRAWN	DATE
ASSEMBLY		GFW	26 JUL 92
3", 4" & 6" 7150 RED PORT VALVE (R.F.)		APPVD	DATE
		GRW	26 JUL 92
JAMESBURY A HELIX AUTOMATION COMPANY WORCESTER, MA, U.S.A.		SIZE	DWG NO
		D	5152
		REV	J