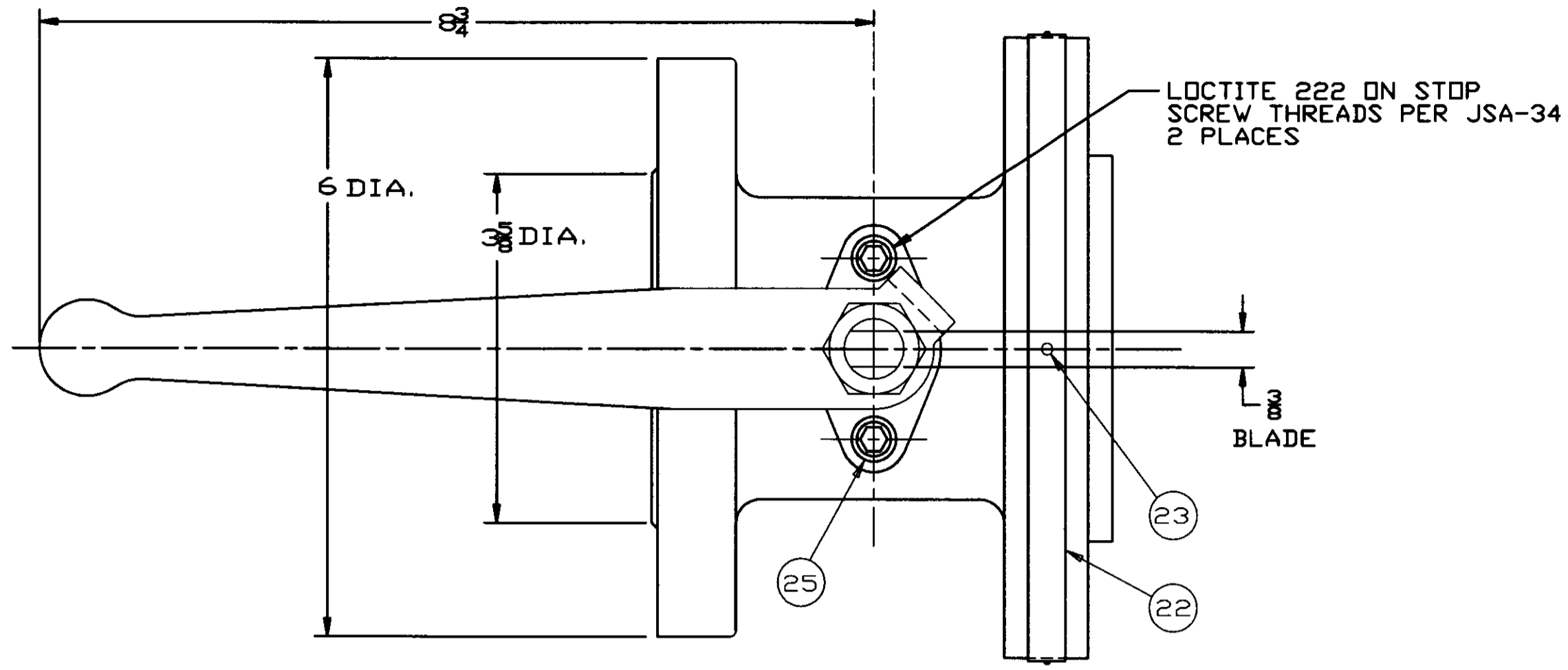
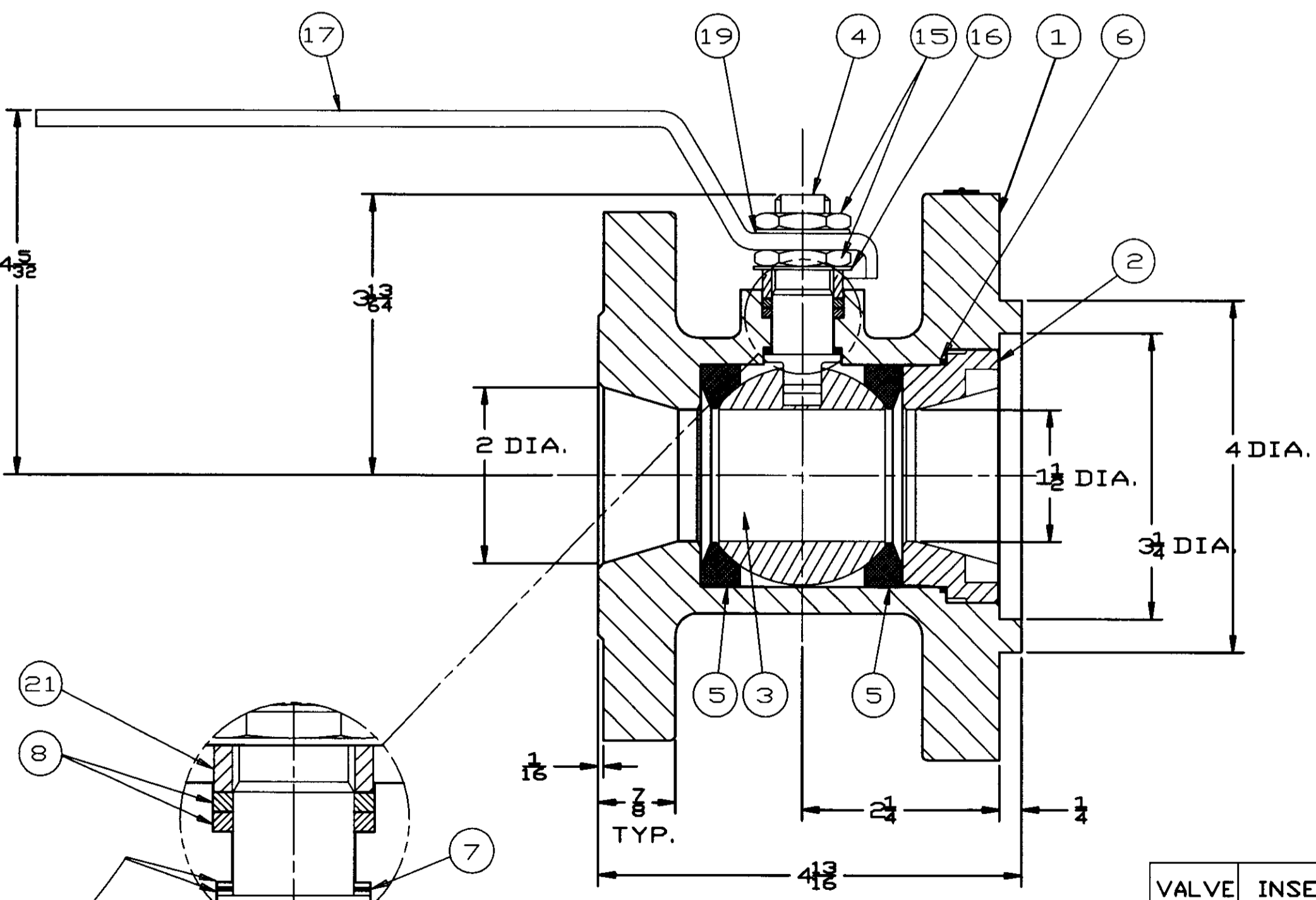
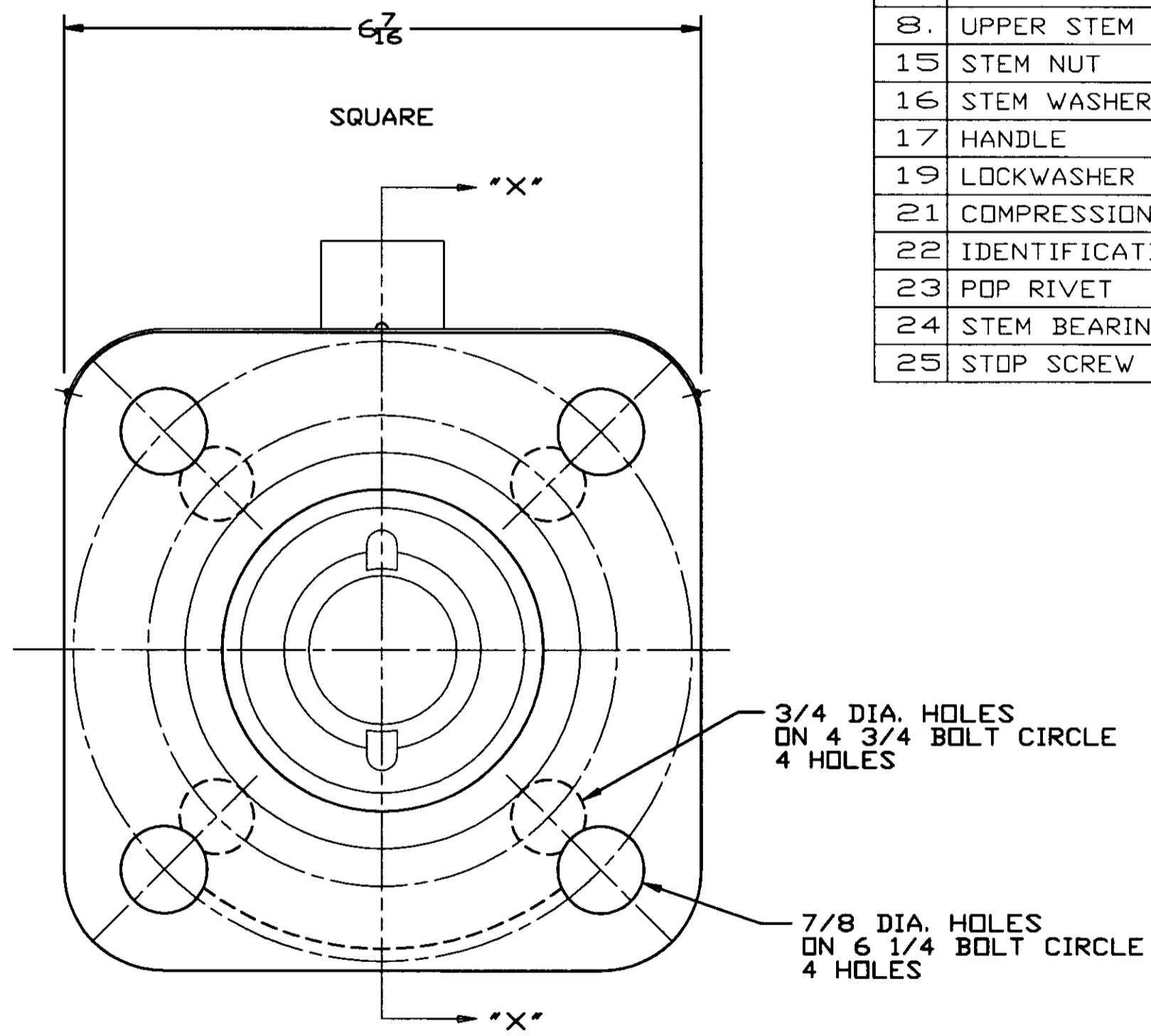


SUPERSEDED		SUPERSEDED BY			
LET	EDN	REVISION	DR.	APPVD.	DATE
A	18810	CHANGED I.D. TAG	BA	DRE	24 JUN 04



ITEM NO.	PART NAME
1	BODY
2	INSERT
3	BALL
4	STEM
5	SEAT
6	BODY SEAL
7	SECONDARY STEM SEAL
8	UPPER STEM SEAL
15	STEM NUT
16	STEM WASHER
17	HANDLE
19	LOCKWASHER
21	COMPRESSION RING
22	IDENTIFICATION TAG
23	POP RIVET
24	STEM BEARING
25	STOP SCREW



VALVE SIZE	INSERT ASS'Y TORQUE
2"	170/200 FT-LBS

CAUTION THIS DRAWING MAY NOT BE TO SCALE

<small>THIS DRAWING AND ALL INFORMATION CONTAINED HEREIN IS THE PROPERTY OF NELES JAMESBURY AND IS TO BE USED ONLY FOR THE PROJECT AND PURPOSE AUTHORIZED BY SUCH COOPERATION.</small> <small>UNLESS OTHERWISE NOTED DIMENSIONS, TOLERANCES &amp; DRAWING INTERPRETATION IS IN ACCORDANCE WITH ASME Y14.5-1994 &amp; 3RD EDITION.</small>	<small>MAT'L CODE</small> JSA-01 JSA-10 JSA-17 JSA-34 JST-02	<small>MATERIAL TYPE</small> MAKE FROM PART NO.	<small>MATERIAL SPECIFICATIONS</small> DO NOT SCALE DRAWING	<small>IDENT. MARK</small> FULL
	<small>TITLE</small> ASSEMBLY 2" 5RRR TOP LOADING STANDARD PORT BALL VALVE RAISED FACE FLANGE	<small>DR.</small> PJD <small>APPVD.</small> RET	<small>DATE</small> 14 DEC 92 <small>DATE</small> 15 DEC 92	NELES - JAMESBURY WORCESTER, MASS. U.S.A.

