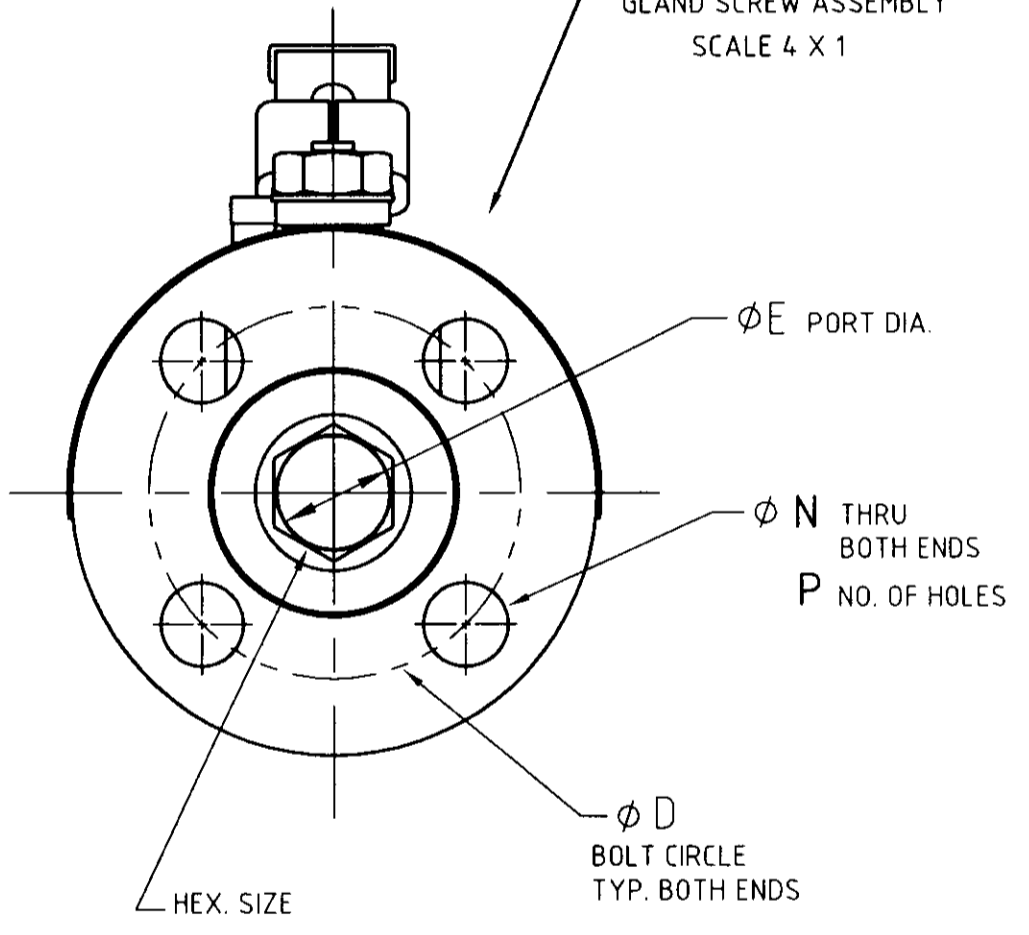
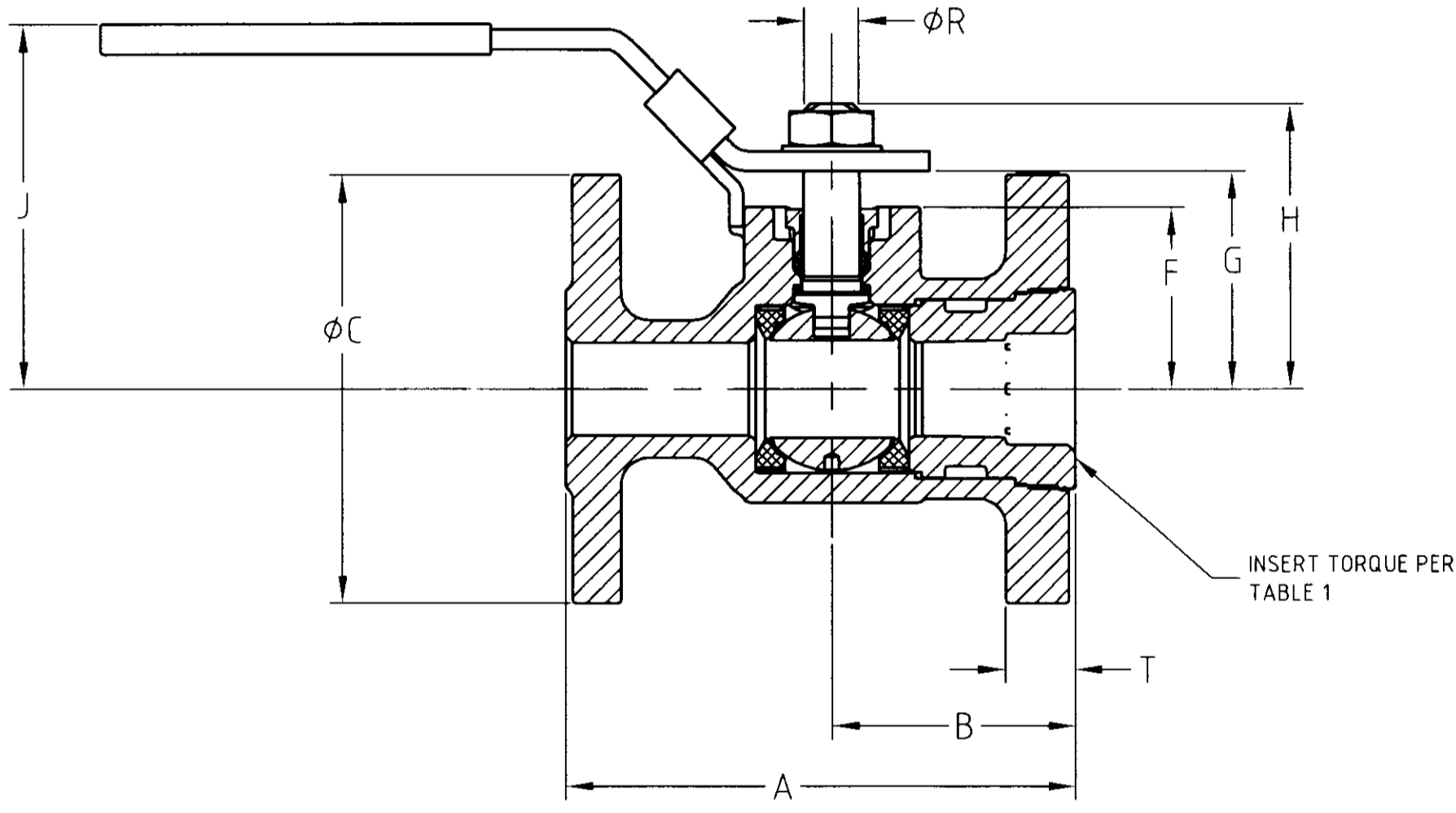
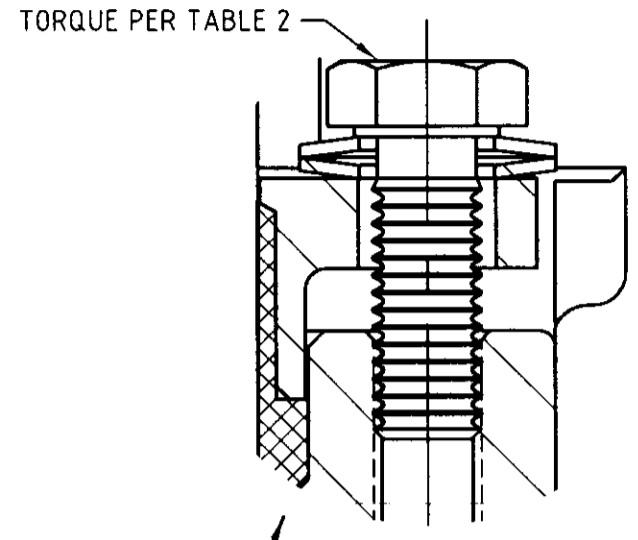
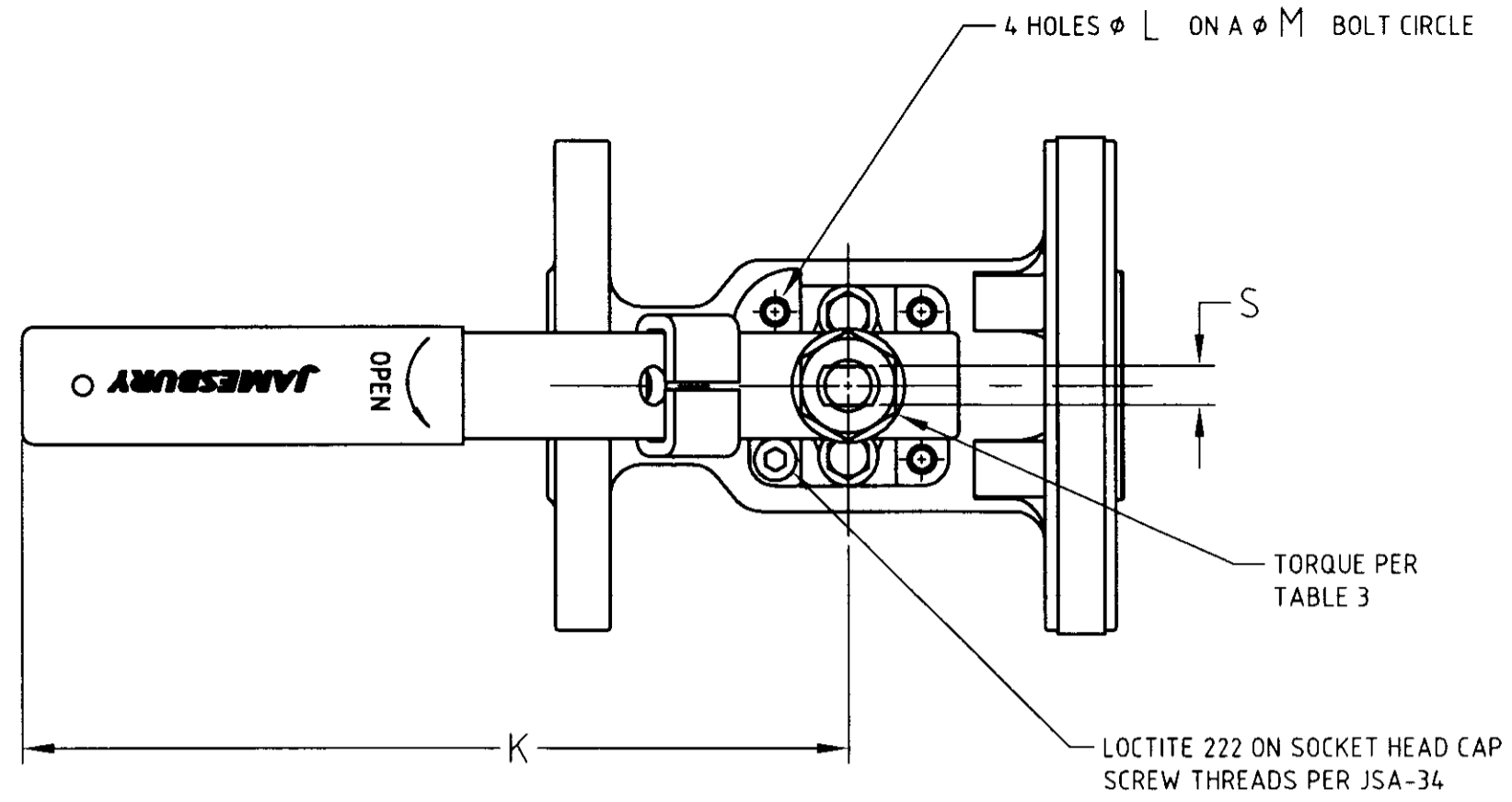
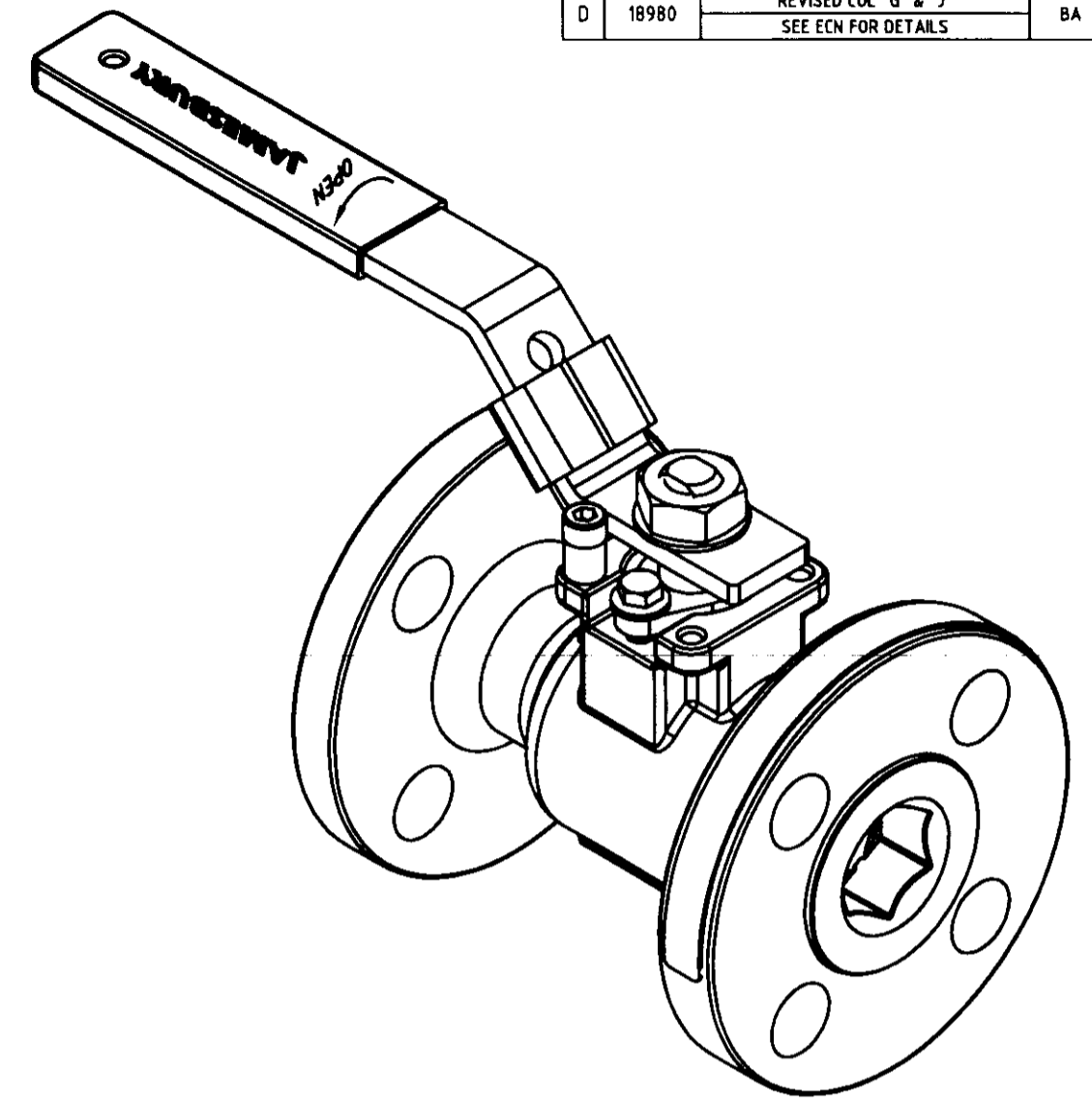


LET	ECN	REVISION	DRAWN	APP'D	DATE
A	18804	IN TABLE 1, 350 WAS 320 LB-FT	BA	DRE	0 DEC 03
B	18901	ADDED ITEMS 9,10 AND 55 PEEK AND GRAPHITE INFORMATION	MJW	DRE	03 MAY 04
C	18929	ADDED LOCTITE NOTE, 3.38 WAS 3.13. 3.94 WAS 3.81, 4.46 WAS 4.62 IN COL J	BA	DRE	1 SEP 04
D	18980	REVISED COL "G" & "J" SEE ECN FOR DETAILS	BA	DRE	21 OCT 04



1. TAG ATTACHMENT PER JMA-98.
2. FOR INSTALLATION, MAINTENANCE AND OPERATING INSTRUCTIONS SEE IMO-214.

NOMINAL DIMENSIONS - INCHES

VALVE SIZE	A	B	C	D	E	F	G	H	J	K	L	M	N	P	R	S	T	HEX. SIZE	ISO BONNET
1/2"	4.25	1.94	3.50	2.38	0.50	1.06	1.28	1.63	3.40	5.00	M5	1.42	0.62	4	0.31	0.18	0.50	0.50	F03
3/4"	4.63	2.19	3.88	2.75	0.88	1.65	1.99	2.58	3.67	6.50	M5	1.65	0.62	4	0.50	0.31	0.63	0.88	F04
1"	5.00	2.19	4.25	3.12	1.00	1.78	2.12	2.71	3.80	6.50	M5	1.65	0.62	4	0.50	0.31	0.63	1.00	F04
1 1/2"	6.50	2.64	5.00	3.88	1.50	2.26	2.73	3.49	4.46	8.00	M6	1.97	0.62	4	0.62	0.37	0.69	1.50	F05

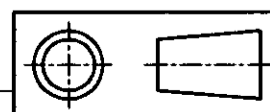
Ⓧ Ⓧ

THIS DRAWING AND ALL INFORMATION CONTAINED HEREIN ARE THE PROPERTY OF JAMESBURY, INC. AND ARE NOT TO BE USED EXCEPT AS AUTHORIZED BY JAMESBURY, INC.

UNLESS OTHERWISE NOTED DIMENSIONING, TOLERANCING, & DRAWING INTERPRETATION IS IN ACCORDANCE WITH ASME Y14.5M

ANGLES = 15° FINISH =

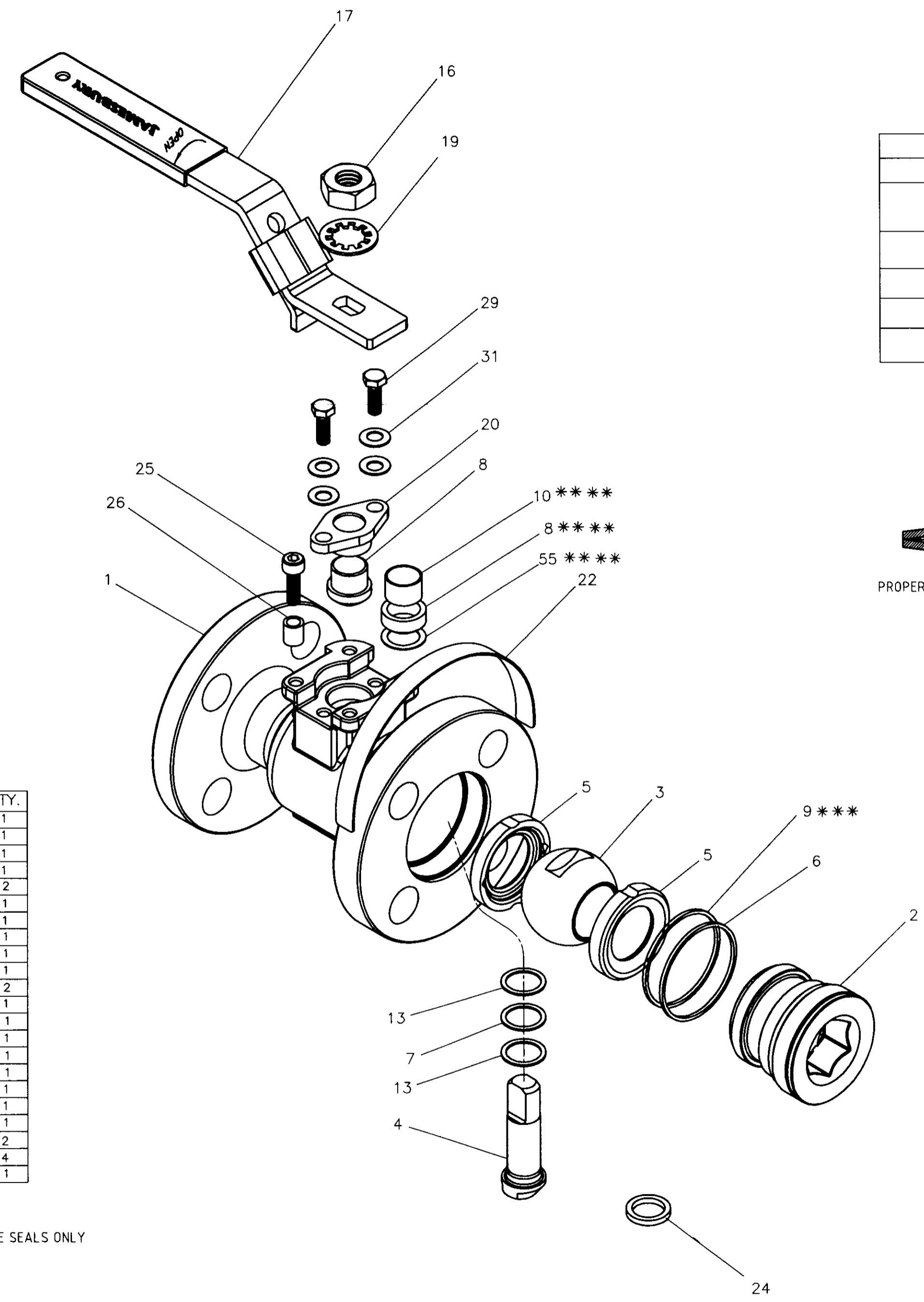
REMOVE SHARP EDGES AND CORNERS TO 02-03 RADIUS OR CHAMFER, DIMENSIONS IN INCHES.



MATERIAL CODE	MATERIAL TYPE	MATERIAL SPECIFICATIONS	IDENT. MARK
JSA-01	JST-02	JSA-34	JSA-17
TITLE: ASSEMBLY 1/2" - 1 1/2" SERIES 9150 VALVE		MJW	DRE
DATE: 06/25/03		DATE: 06/25/03	
SCALE: 1/1		REV: D	
DO NOT SCALE DRAWING		DWG NO: 5446	
SPECIFICATIONS TO BE USED IN CONNECTION WITH THIS DRAWING		SHEET 1 OF 2	

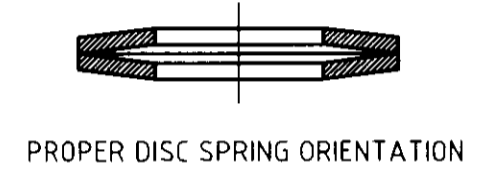
JAMESBURY
A NELES AUTOMATION COMPANY
WORCESTER MA., U.S.A.

LET	EDN	REVISION	DRAWN	APPVD	DATE
A	18804		BA	DRE	0 DEC 83
B	18901		MJW	DRE	03 MAY 84
C	18929		BA	DRE	1 SEP 84
D	18980		BA	DRE	22 OCT 84



**TABLE 1
INSERT TORQUES**

VALVE SIZE	TORQUE LB.-FT. (±10%)
1/2"	100
3/4"	150
1"	200
1 1/2"	350



**TABLE 2
HEX. HEAD CAP SCREW TORQUE**

VALVE SIZE	TORQUE LB. - IN.
1/2"	15
3/4" & 1"	20
1-1/2"	32

**TABLE 3
HANDLE NUT TORQUE**

VALVE SIZE	TORQUE LB. - FT.
1/2"	8 - 10
3/4" & 1"	20 - 25
1-1/2"	30 - 35

ITEM	DESCRIPTION	QTY.
1	BODY	1
2	INSERT	1
3	BALL	1
4	STEM	1
5	SEAT	2
6	BODY SEAL	1
* 7	SECONDARY STEM SEAL	1
8	STEM SEAL	1
*** 9	SUPPORT RING	1
*** 10	UPPER STEM BEARING	1
* 13	STEM BEARING	2
* 16	HANDLE NUT	1
17	HANDLE	1
19	SHAKEPROOF WASHER	1
20	COMPRESSION PLATE	1
22	IDENTIFICATION TAG	1
** 24	STEM BEARING NON-FIRETITE	1
25	SOCKET HEAD CAP SCREW	1
26	SPACER	1
29	HEX. HEAD CAP SCREW	2
31	DISC SPRING	4
*** 55	ANTI EXTRUSION RING	1

* FIRETITE VALVES ONLY
 ** NON-FIRETITE VALVES ONLY
 *** USE ITEM 9 FOR 1" AND 1 1/2" GRAPHITE SEALS ONLY
 **** USE WITH PECK SEATS ONLY

THIS DRAWING AND ALL INFORMATION CONTAINED HEREIN ARE THE PROPERTY OF JAMESBURY, INC. AND ARE NOT TO BE USED EXCEPT AS AUTHORIZED BY JAMESBURY, INC.

UNLESS OTHERWISE NOTED DIMENSIONING, TOLERANCING, & DRAWING INTERPRETATION IS IN ACCORDANCE WITH ASME Y14.5M

ANGLES = 45° FINISH = 32

REMOVE SHARP EDGES AND CORNERS TO .02 - .03 RADIUS OR CHAMFER, DIMENSIONS IN INCHES.

MATERIAL CODE	MATERIAL TYPE	MATERIAL SPECIFICATIONS	IDENT. MARK
		DO NOT SCALE DRAWING	SCALE 1/1
SPECIFICATIONS TO BE USED IN CONNECTION WITH THIS DRAWING		TITLE: ASSEMBLY 1/2" - 1 1/2" SERIES 9150 VALVE	DRAWN MJW DATE 06/25/03
			APPVD. DATE 06/25/03

JAMESBURY A NELES AUTOMATION COMPANY WORCESTER MA., U.S.A.

SIZE D DWG NO 5446 REV D

SHEET 2 OF 2