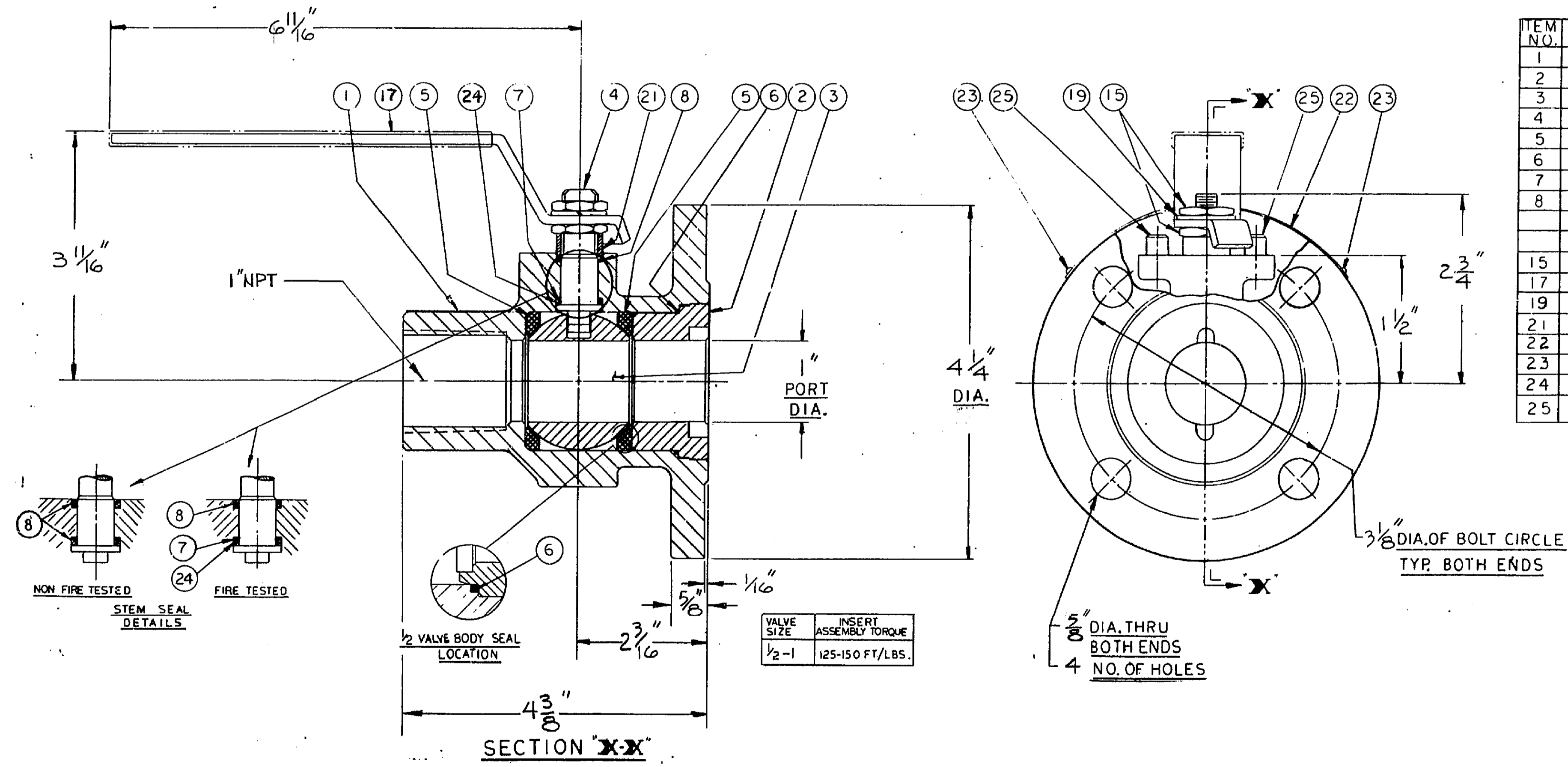
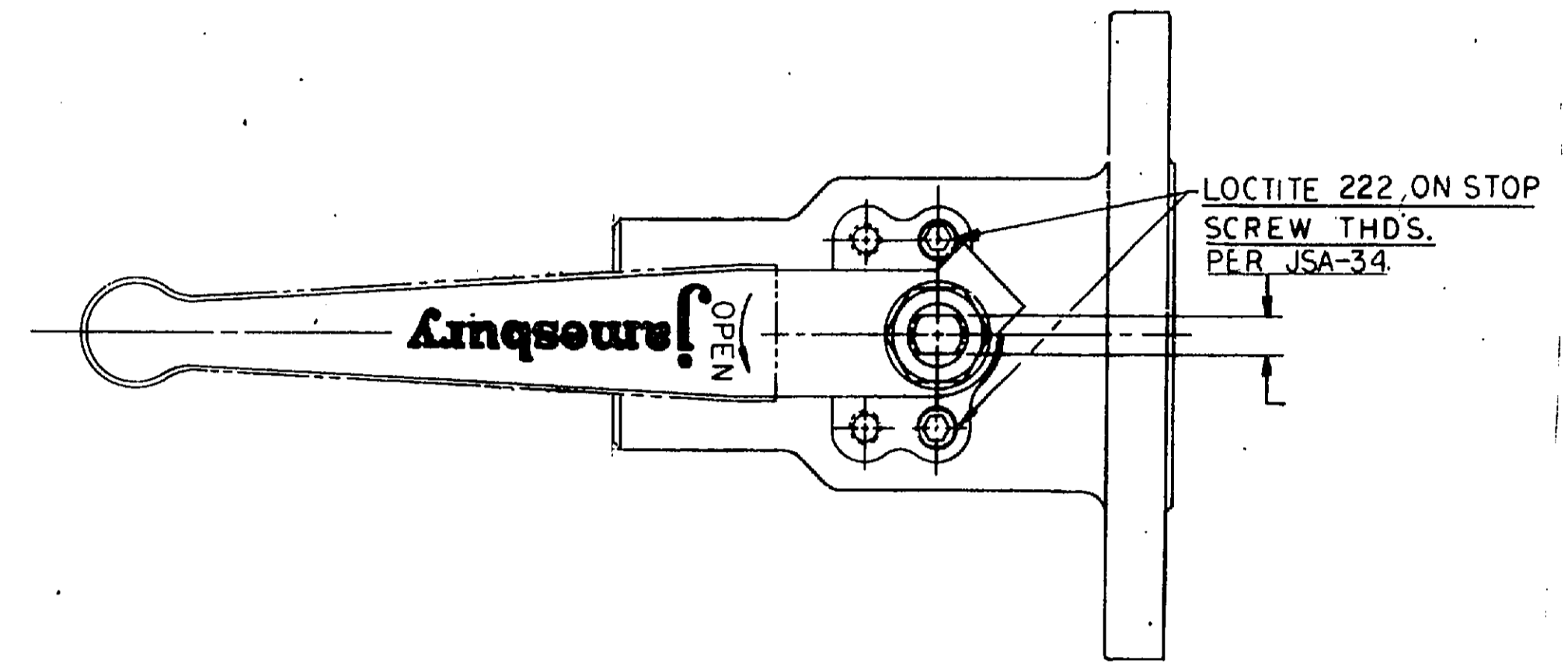


NOTES:
 1. DO NOT STAMP ANSI B16.34 IN ANSI SPECIFICATION AREA OF TAG.
 2. ATTACH PAPER TAG TO BONNET OF VALVE THAT STATES NO LUBRICANT HAS BEEN USED.



ITEM NO.	PART NAME
1	BODY
2	INSERT
3	BALL
4	STEM
5	SEAT
6	BODY SEAL
7	SECONDARY STEM SEAL
8	UPPER STEM SEAL
15	STEM NUT
17	HANDLE
19	LOCKWASHER
21	COMPRESSION RING
22	TAG
23	DRIVE SCREW
24	LOWER STEM SEAL
25	STOP SCREW

<small>THIS DRAWING AND ALL INFORMATION CONTAINED HEREIN ARE THE PROPERTY OF THE NELES-JAMESBURY CORP. AND ARE NOT TO BE USED WITHOUT THE AUTHORIZATION OF SAID CORPORATION.</small> <small>UNLESS OTHERWISE NOTED DIMENSIONING, TOLERANCING, & DRAWING INTERPRETATION IS IN ACCORDANCE WITH ANSI Y14.5-1982 & DD-STD-100.</small> <small>ALL MACHINE SURFACES TO BE 250 BREAM ALL SHARP CORNERS 1/64 MAX REMOVE ALL SLIPS</small>	<small>MAT'L. CODE</small> <small>MATERIAL TYPE</small> <small>MATERIAL SPECIFICATIONS</small> <small>IDENT. MARK</small>	<small>SCALE</small> <small>DO NOT SCALE DRAWING</small>	<small>DATE</small> <small>DR.</small> <small>DATE</small> <small>APPVD.</small> <small>DATE</small>
	<small>MAKE FROM PART NO.</small> <small>TITLE:</small> ASSEMBLY 1" G150 FLANGED END VALVE WITH I.D. SCREW END	<small>SCALE</small> <small>DATE</small> <small>DR.</small> <small>DATE</small> <small>APPVD.</small> <small>DATE</small>	<small>DATE</small> <small>DR.</small> <small>DATE</small> <small>APPVD.</small> <small>DATE</small>

