

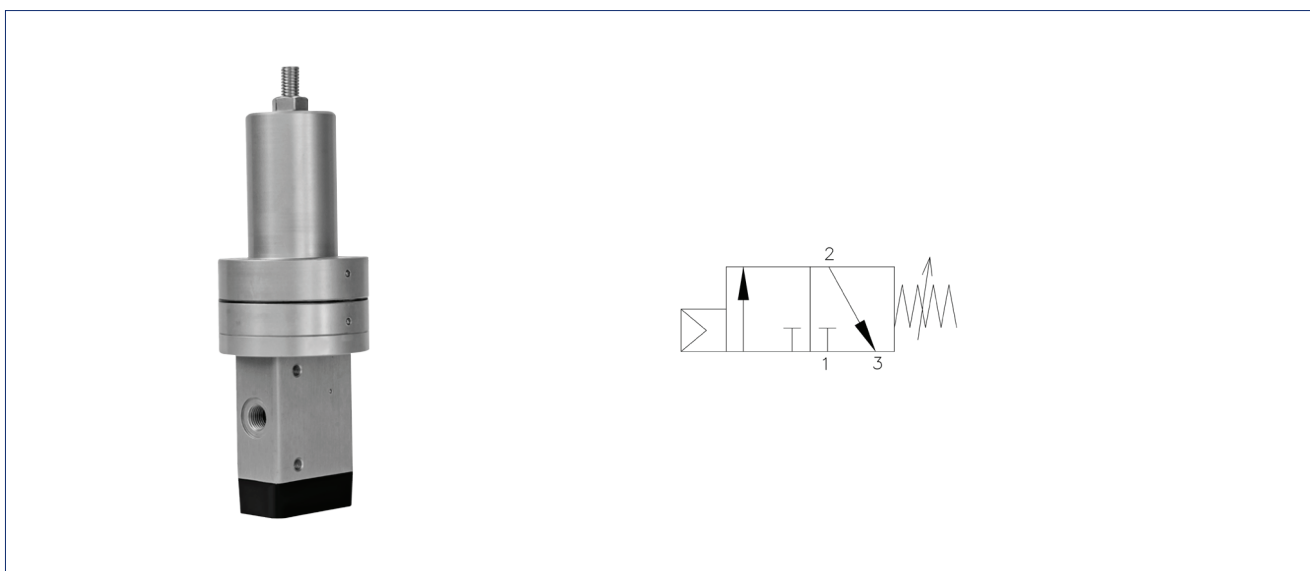
# NELES

## Easyflow by Neles™

### Pneumatic pressure switches, series SENALRQ

3/2 way pressure switch

Model no. SENALRQ-3



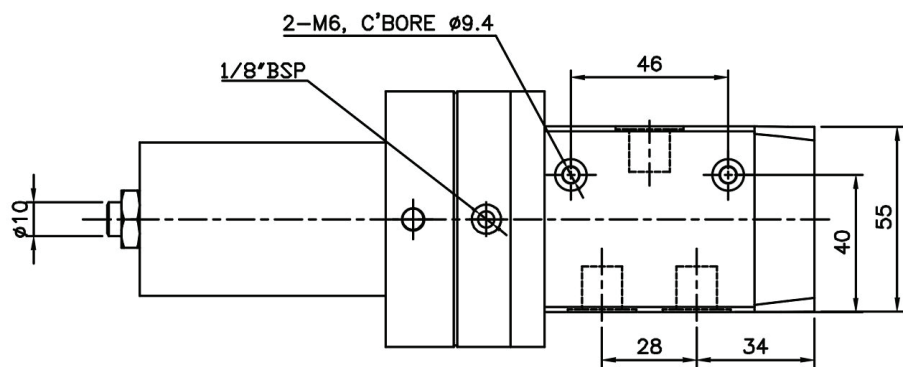
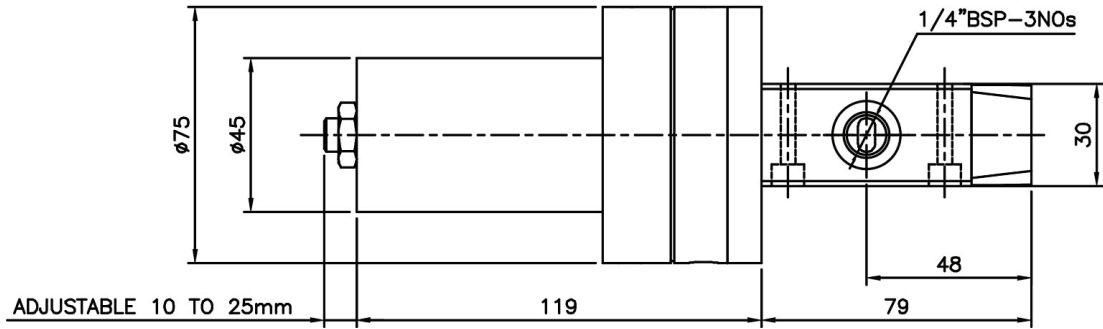
#### Features

- For control valve application.
- Sensitivity 0.5 bar to cutoff only.
- Most suited for critical applications.
- No external bleed.
- Adjustable from 3 to 10 bar.
- 3-way & 4-way versions available where all ports are blocked.
- Super compact in size.
- Dual diaphragms for high sensitivity.
- Application most suited to perform emergency shut down on pressure fluctuation within 0.5 bar.

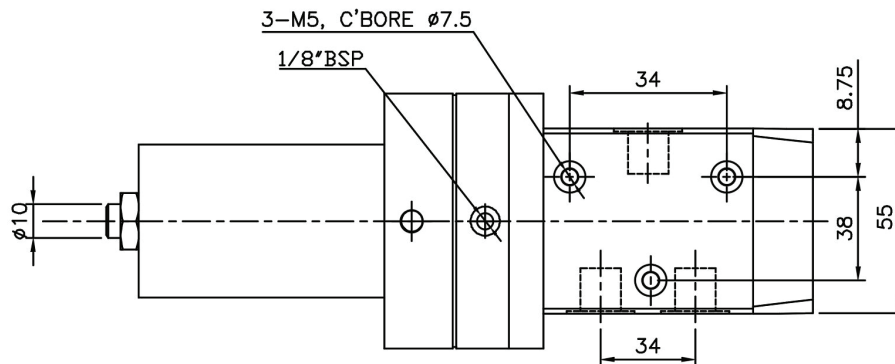
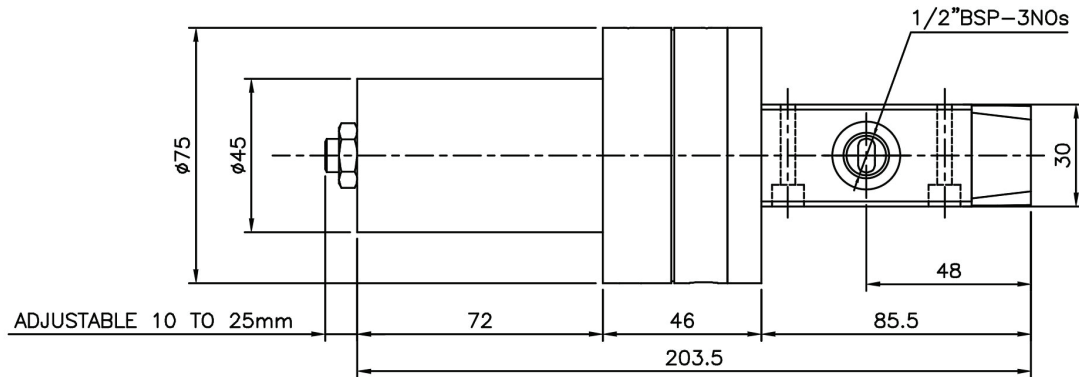
#### Technical specification

Model	SENALRQ-3-2	SENALRQ-3-4
Type	3/2 way spool design sensitive air lock relay	
Media	Compressed air, 25 µm. Filtered, lubricated or unlubricated	
Mounting	Through holes in housing, also suitable for mounting on manifold	
Operating pressure range	0-10 bar	
Pilot pressure	2-10 bar	
Temperature range (°C)	-20 to 80	
Valve body MOC	Aluminium / Brass / SS 316/SS 304	
Seals MOC	NBR	

## Dimensional Drawings



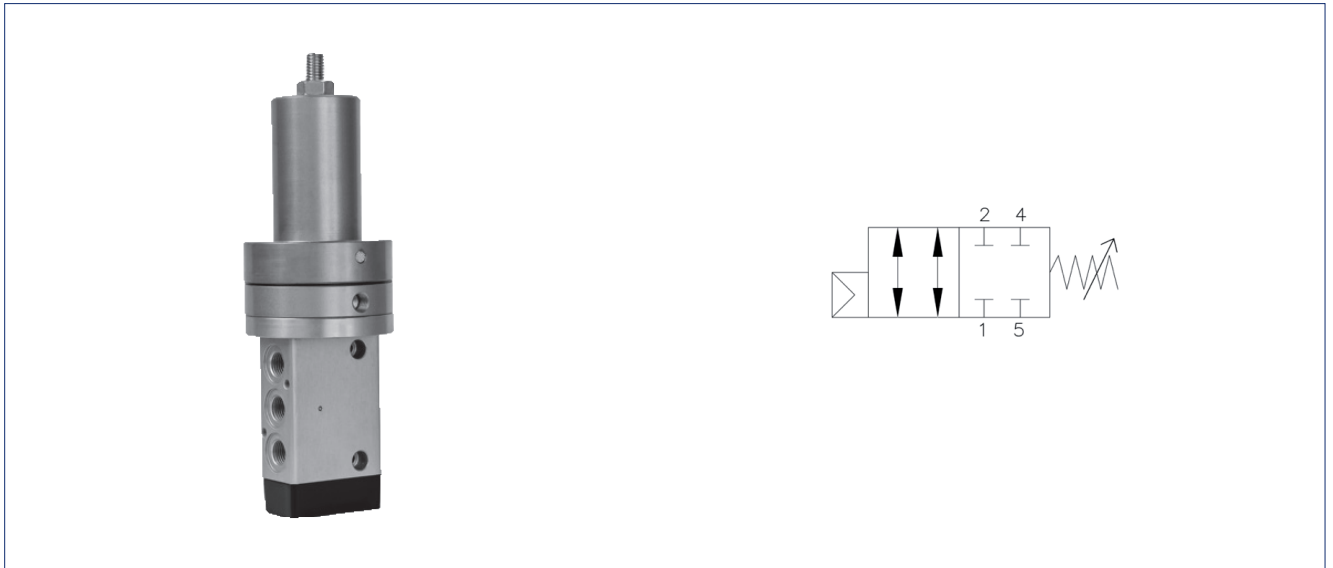
**SENALRQ3-2G**



**SENALRQ3-4G**

## 5/2 WAY PRESSURE SWITCH

Model no. SENALRQ-5



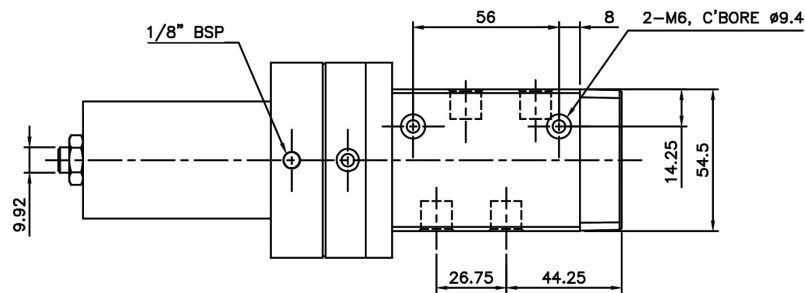
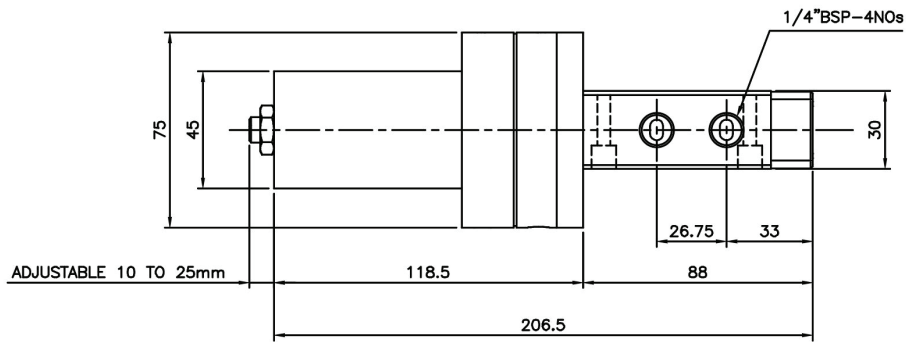
### Features

- For control valve application.
- Sensitivity 0.5 bar to cutoff only.
- Most suited for critical applications.
- No external bleed.
- Adjustable from 3 to 10 bar.
- 3-way & 4-way versions available where all ports are blocked.
- Super compact in size.
- Dual diaphragms for high sensitivity.
- Application most suited to perform emergency shut down on pressure fluctuation within 0.5 bar.

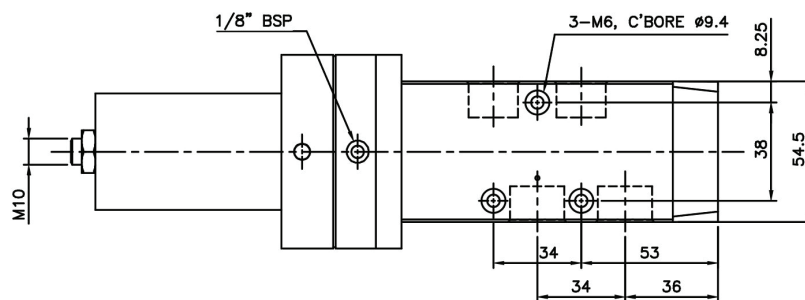
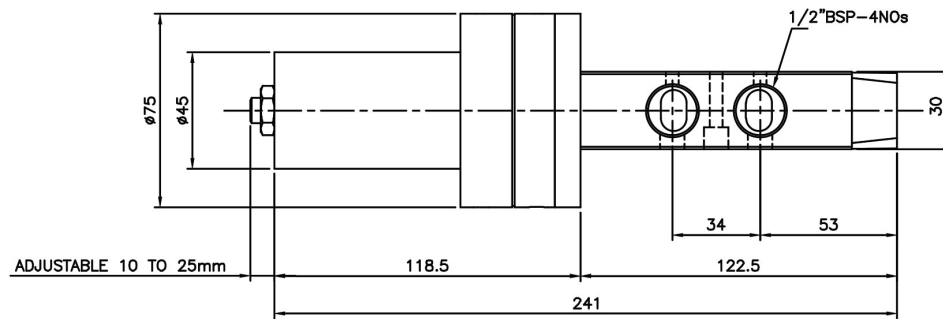
### Technical specification

Model	SENALRQ-5-2	SENALRQ-5-4
Type	5/2 way spool design sensitive air lock relay	
Media	Compressed air, 25 µm. Filtered, lubricated or unlubricated	
Mounting	Through holes in housing, also suitable for mounting on manifold	
Operating pressure range	0-10 bar	
Pilot pressure	2-10 bar	
Temperature range (°C)	-20 TO 80	
Valve body MOC	Aluminium / Brass / SS 316/SS 304	
Seals MOC	NBR	

## Dimensional Drawings



**SENALRQ5-2G**



**SENALRQ5-4G**

## HOW TO ORDER

1	2	3	4	5	6
SENALRQ	3	2	G	0	0

1.	Principle
SENALRQ	Sensitive Pneumatics lock relays

2.	Action
3	3/2 way
5	5/2 way

3.	Port size
2	1/4"
3	3/8"
4	1/2"

4.	Port thread type
G	BSP
R	NPT

5.	Body material
0	Aluminium
1	SS316

6.	Seal material
0	NBR
1	VITON

### ORDERING EXAMPLE:

1. SENALRQ-3-2-G-0-0. This is a 3/2 position Pneumatics lock relay valve with port size of 1/4" BSP Aluminium body along with NBR as a seal material.

# Neles

Vanha Porvoontie 229, 01380 Vantaa, Finland.  
Tel. +358 10 417 5000.

**neles.com**

S 150-4EN - 7/2020

Subject to change without prior notice. Neles, Jamesbury and Easyflow by Neles, and certain other trademarks, are either registered trademarks or trademarks of Neles Corporation or its subsidiaries or affiliates in the United States and/or in other countries. For more information [www.neles.com/trademarks](http://www.neles.com/trademarks)

Reinventing  
reliability