

High performance and accuracy from Neles

40 years of experience in controlling critical flows of geothermal steam and brine help ensure:

- **Meeting stringent plant safety and reliability requirements** related to silica scaling, high pressure, and flashing
- **Low-cost, low-frequency maintenance** thanks to easy-to-assemble valve design
- **Maximal energy usage and minimal pressure loss** due to high-capacity body and trim designs



Find out more.

To find out more about Neles flow control solutions for geothermal industries, please read more online at [neles.com](https://www.neles.com)

Reinventing
reliability

CB078EN, issue 9/2021

NELES

Efficient and reliable valve solutions for geothermal energy



Addressing the challenge of scaling in geothermal processes



As a rule of nature, when water evaporates, solids like silica, lime, and calcium inevitably remain. Even if minimized

with inhibitor chemicals, the build-up of precipitates in the valve leads to leakage. This amplifies the scaling, eventually resulting in complete failure of the valve. Neles valves offer several solutions to alleviate this problem.

Complete valve solutions for geothermal applications

Valves, actuators and smart valve controllers all from one manufacturer.



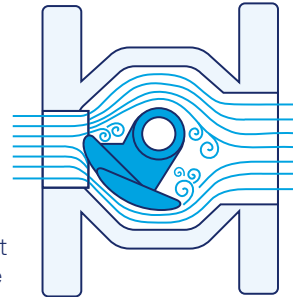
Segment valves Butterfly valves Globe valves Ball valves Eccentric plug valves

Neles™ and Jamesbury™ valve solutions enable the efficient and reliable running of geothermal power plants.

Eccentric plug valves

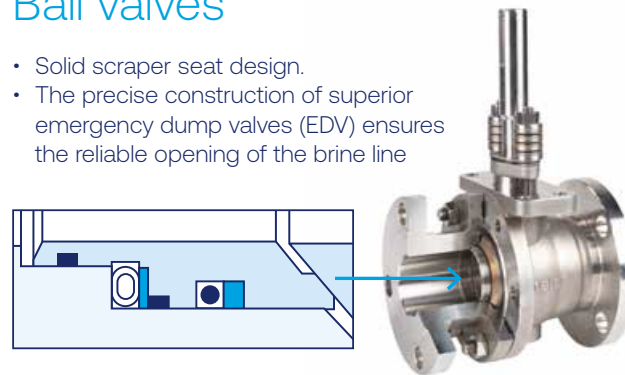
Neles Finetrol™ – The perfect solution for separator level control (LCV)

- No dead points in the seat or body cavity where brine can accumulate
- No friction between seat and plug means no damage or increase in torque
- Even with heavy scaling, interaction between the still plug and the seat ensures that the valve continues to operate



Ball valves

- Solid scraper seat design.
- The precise construction of superior emergency dump valves (EDV) ensures the reliable opening of the brine line



Critical areas protected

High-performance butterfly valves

Neles L-series

- Thanks to the metal-to-metal seat, the area stays clean and tight even with heavy scaling



Jamesbury Wafer-Sphere™

- Flexible, one-piece seat.
- Field-tested and proven TSO valve for ORC/binary geothermal power plants

