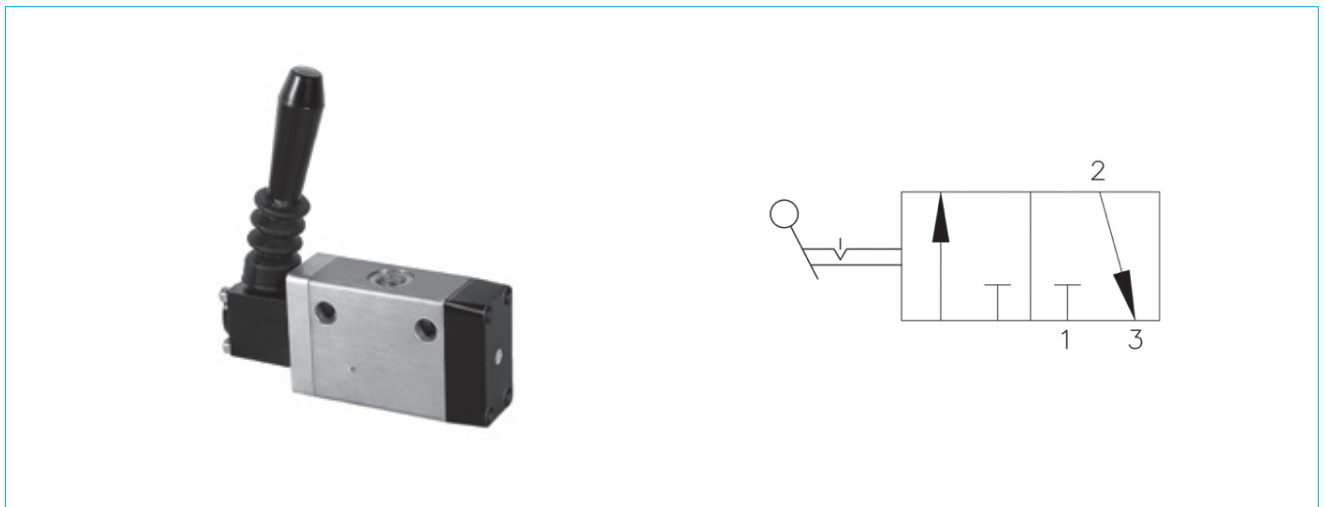


Easyflow By Neles™ Hand operated valves, series DAQ and VAQ

3/2 way hand operated spool valve - manual return

Model No.: DAQ204 / DAQ404



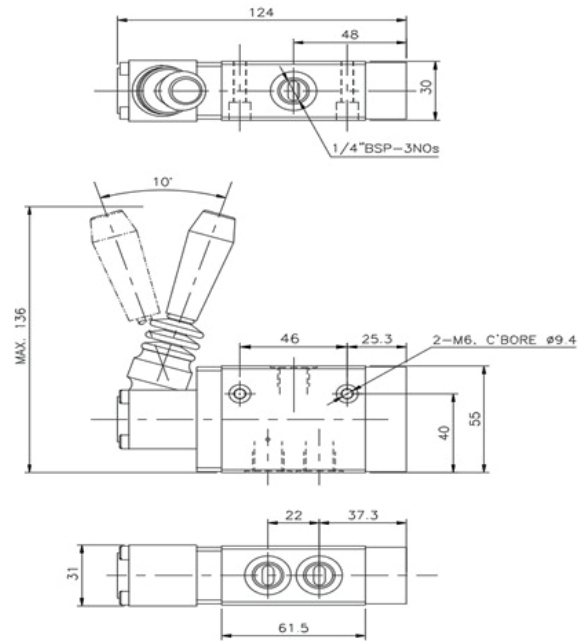
Features

- Mounts in any position
- Rugged spool design
- Suitable for manifold mounting
- Handle can be turned by 90°, 180°, 270°, 360°

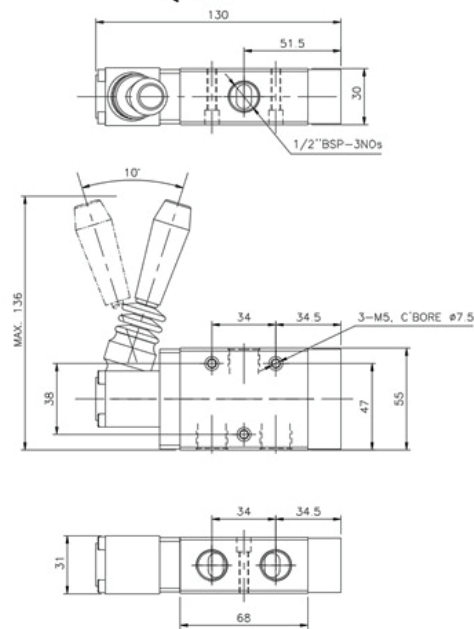
Technical specification

Model	DAQ204	DAQ404
Type	3/2 way spool design, hand operated direction control valve	
Media	Compressed air, 25 µm, Filtered, lubricated or unlubricated	
Mounting	Through holes in housing, also suitable for mounting on manifold	
Orifice (mm)	6.7	10
Flow factor (kv) (L / min)	15	38
Operating pressure range (bar)	0-10	
Temperature range (°C)	-10 to 70	
Actuation force (N)(Max)	12	
Weight (Kg)	0.5	0.8
Valve body MOC	Aluminium	
Seals MOC	NBR	

Dimensional Drawings with symbol



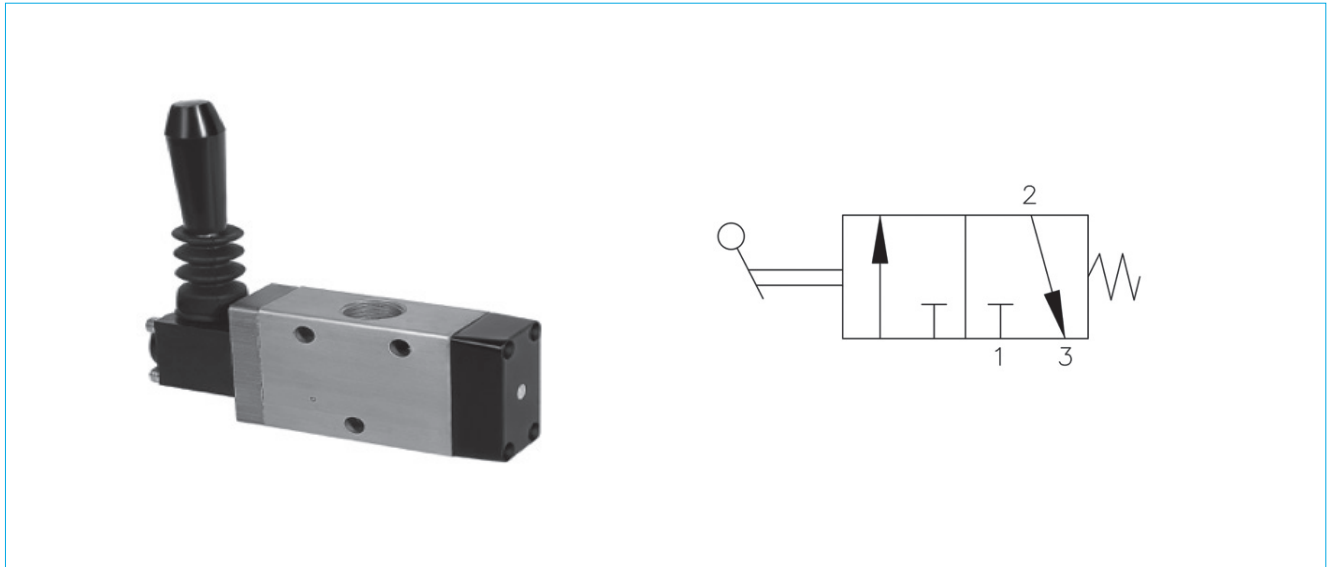
DAQ204



DAQ404

3/2 WAY HAND OPERATED SPOOL VALVE – SPRING RETURN

Model No.: DAQ205 / DAQ405



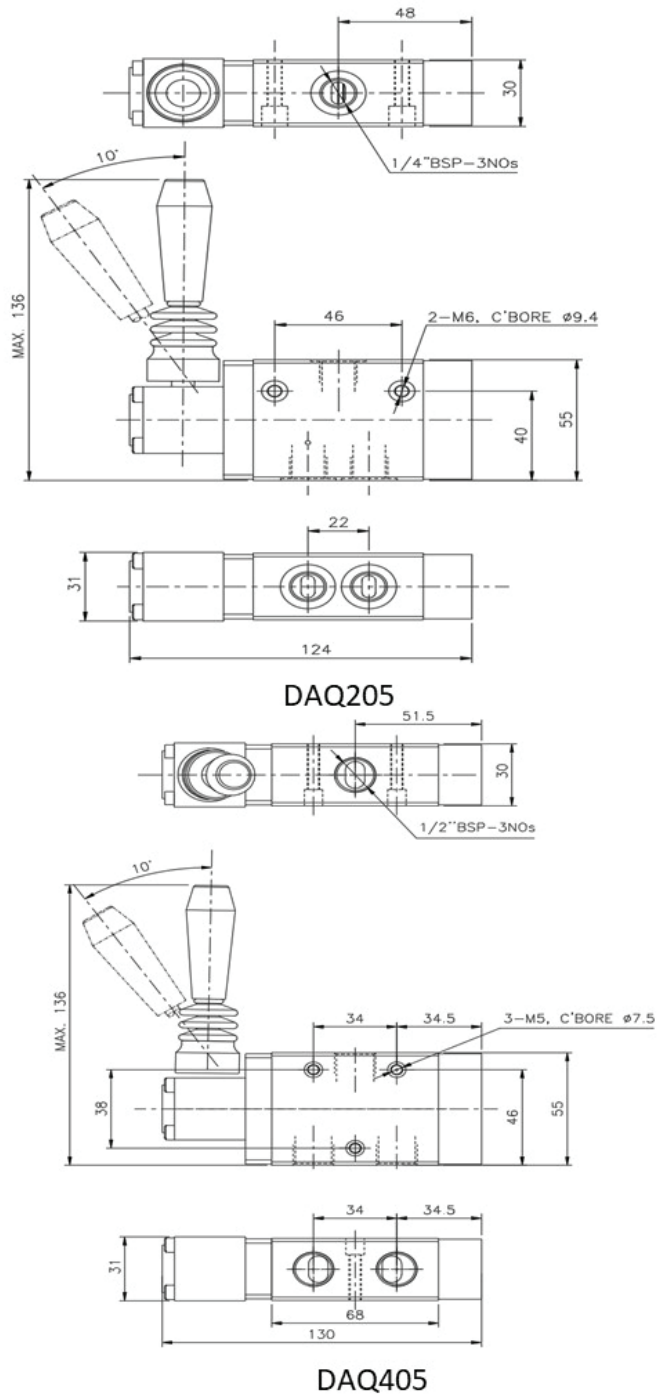
Features

- Mounts in any position
- Rugged spool design
- Suitable for manifold mounting
- Handle can be turned by 90°, 180°, 270°, 360°

Technical specification

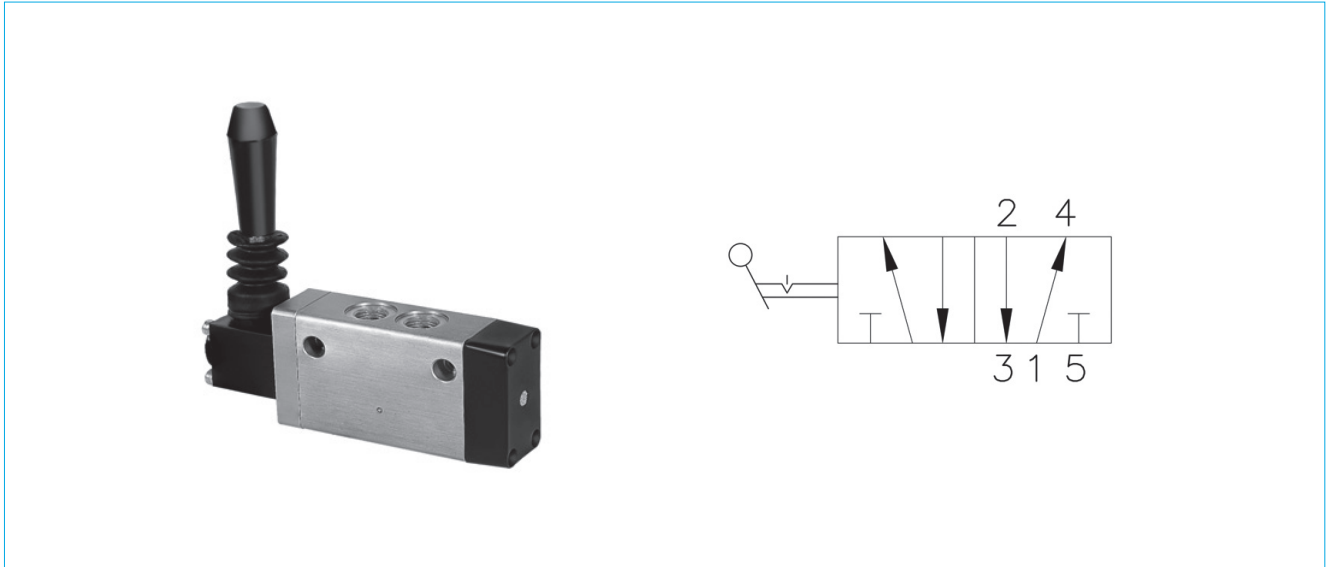
Model	DAQ205	DAQ405
Type	3/2 way spool design, hand operated direction control valve – Spring return	
Media	Compressed air, 25 µm, Filtered, lubricated or unlubricated	
Mounting	Through holes in housing, also suitable for mounting on manifold	
Orifice (mm)	6.7	10
Flow factor (kv)	15	38
Operating pressure range (bar)	0-10	
Temperature range (°C)	-10 to 70	
Actuation force (N)(Max)	12	
Weight (Kg)	0.5	0.8
Valve body MOC	Aluminium	
Seals MOC	NBR	

Dimensional Drawings with symbol



5/2 WAY HAND LEVER OPERATED SPOOL VALVE – MANUAL RETURN

Model No : VAQ204 / VAQ404



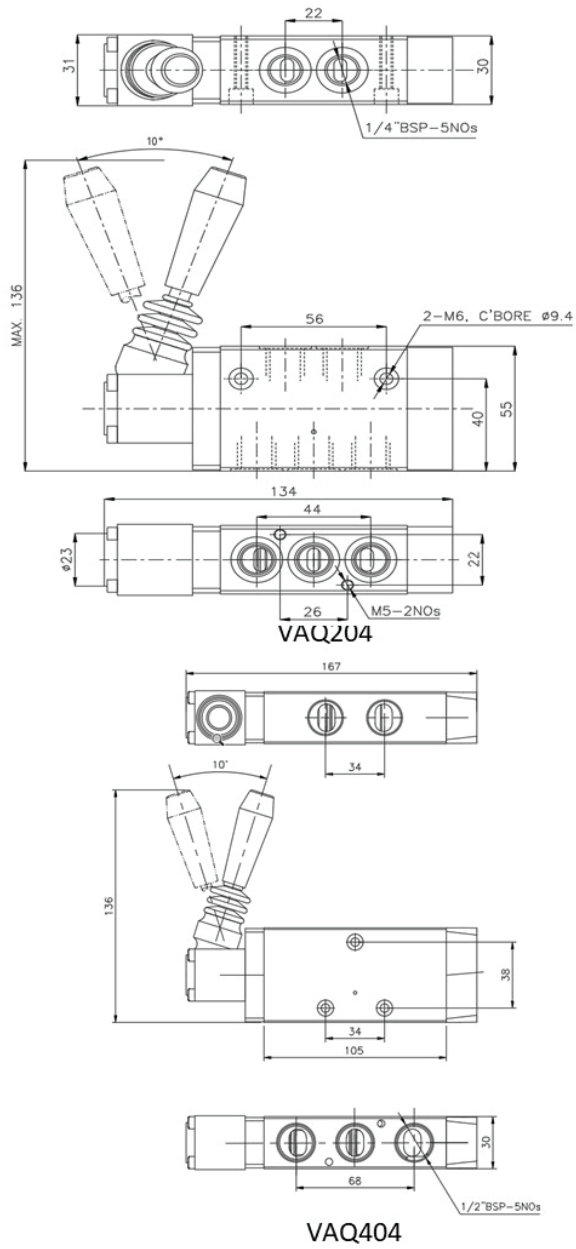
Features

- Mounts in any position
- Rugged spool design
- Suitable for manifold mounting
- Handle can be turned by 90°, 180°, 270°, 360°

Technical specification

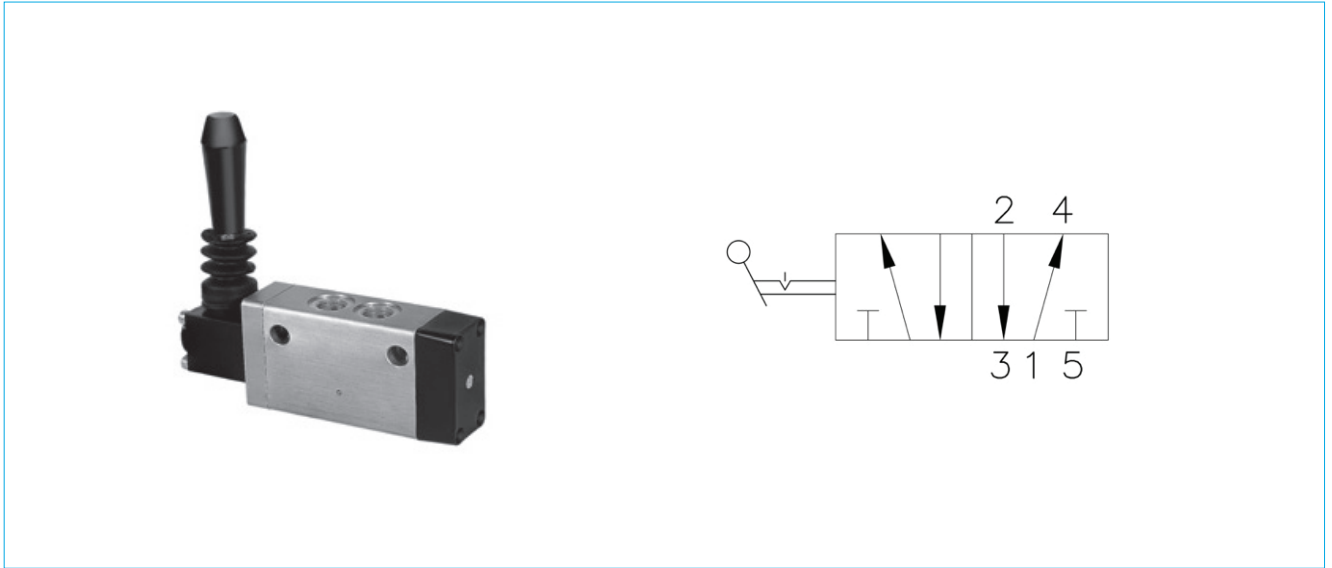
Model	VAQ204	VAQ404
Type	5/2 way spool design, hand operated direction control valve – Manual return	
Media	Compressed air, 25 µm. Filtered, lubricated or unlubricated	
Mounting	Through holes in housing, also suitable for mounting on manifold	
Orifice (mm)	6.7	10
Flow factor (kv) (L / min)	15	38
Operating pressure range (Bar)	0-10	
Temperature range (°C)	-10 to 70	
Actuation force (N)(Max)	12	
Weight (Kg)	0.6	0.9
Valve body MOC	Aluminium	
Seals MOC	NBR	

Dimensional Drawings



5/2 WAY HAND LEVER OPERATED SPOOL VALVE – SPRING RETURN

Model No : VAQ205 / VAQ405



Features

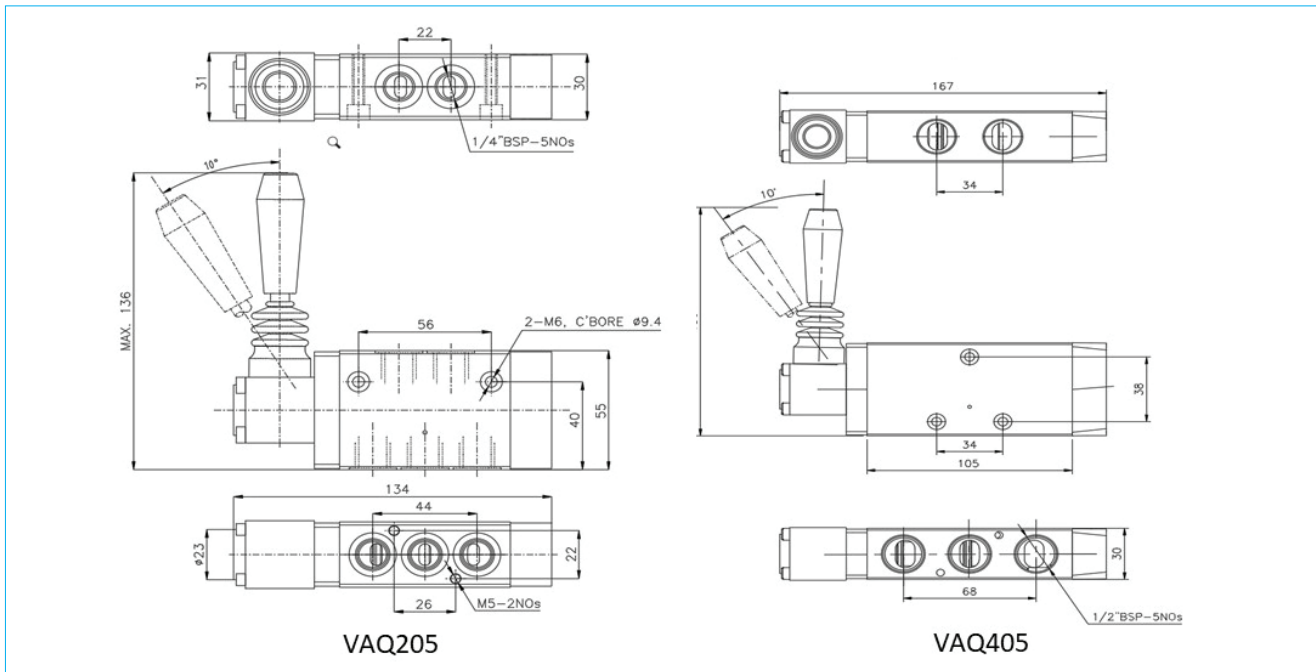
- Mounts in any position
- Rugged spool design
- Suitable for manifold mounting
- Handle can be turned by 90°, 180°, 270°, 360°

Technical specification

Model	VAQ205	VAQ405
Type	5/2 way spool design, hand operated direction control valve – Spring return	
Media	Compressed air, 25 µm. Filtered, lubricated or unlubricated	
Mounting	Through holes in housing, also suitable for mounting on manifold	
Orifice (mm)	6.7	10
Flow Factor (kv) (L / min)	15	33
Operating pressure range (bar)	0-10	
Temperature range (°C)	-10 to 70	
Actuation force (N)(Max)	12	
Weight (Kg)	0.6	0.9
Valve body MOC	Aluminium	
Seals MOC	NBR	

Dimensional Drawings

S150-6EN - 7/2020



HOW TO ORDER

1	2	3	4	5	6
DAQ	2	10	G	0	0

1	Valve type
DAQ	3/2 way
VAQ	5/2 way

2	Port size
2	1/4"
3	3/8"
4	1/2"

3	Operator
04	Hand operated
05	Hand operated and spring return

4	Port thread type
G	BSP
R	NPT

5	Body material
0	Aluminium
1	SS316

6	Seal material
0	NBR
1	VITON

ORDERING EXAMPLE:

1. DAQ-2-10-G-0-0. This is a 3/2 position spool valve with port size of 1/4" BSP Connection and Aluminium body having NBR seal.
2. VAQ-4-10-R-0-1. This is a 5/2 position spool valve with port size of 1/2" NPT Connection and Aluminium body having Viton seal.

Subject to change without prior notice. Neles, Jamesbury and Easyflow by Neles, and certain other trademarks, are either registered trademarks or trademarks of Neles Corporation or its subsidiaries or affiliates in the United States and/or in other countries. For more information www.neles.com/trademarks

Neles

Vanha Porvoontie 229, 01380 Vantaa, Finland.
Tel. +358 10 417 5000.

neles.com

Reinventing
reliability