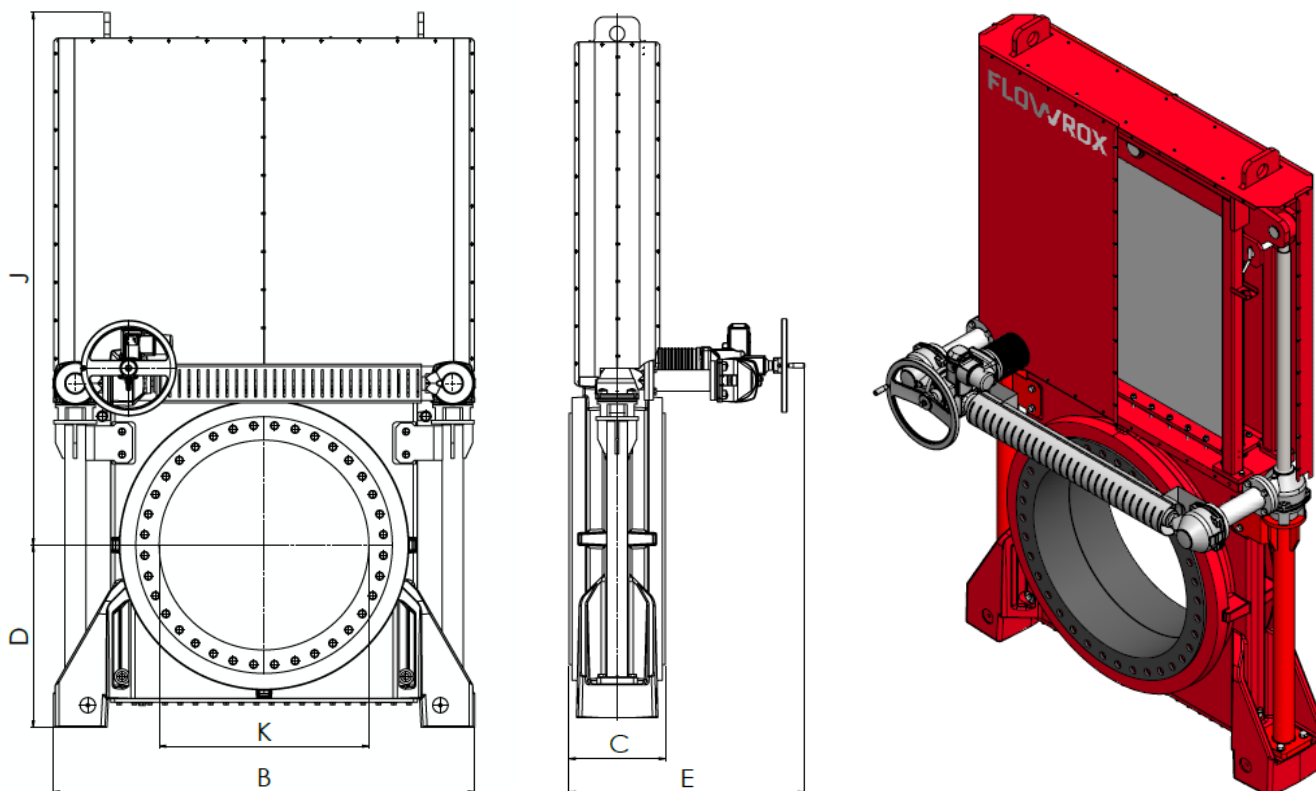




SKF DN900-1500 Slurry Knife Gate Valves

MAIN DIMENSIONS OF SKF VALVES

ELECTRIC (E)



| Valve size (DN) | B | C | D | E | J | K | Pressure (bar) | Weight (kg) |
|-----------------|------|-----|------|------|------|------|----------------|-------------|
| 900 | 1850 | 469 | 805 | 985 | x | 900 | 10 | x |
| 1000 | 2060 | 512 | 880 | 1020 | x | 1000 | 6 | x |
| 1050 | 2060 | 512 | 880 | 1020 | 2482 | 1050 | 6 | x |
| 1200 | 2210 | 512 | 995 | 1020 | 2783 | 1200 | 6 | ~4550 |
| 1350 | 2360 | 512 | 1030 | 1125 | 3027 | 1350 | 4 | ~5200 |
| 1500 | 2510 | 512 | 1105 | 1125 | 3272 | 1500 | 4 | ~5600 |

PN 10 and ANSI 150, others on request. Dimensions and weight are for guidance only - detailed drawings available on request. All dimensions in millimeters.

Information without engagement. All rights to changes without prior notice reserved.



Neles Finland Oy
P.O. Box 26
FI-53101 Lappeenranta, Finland
Tel. +358 (0)10 417 5000

www.flowrox.com
info@flowrox.com

