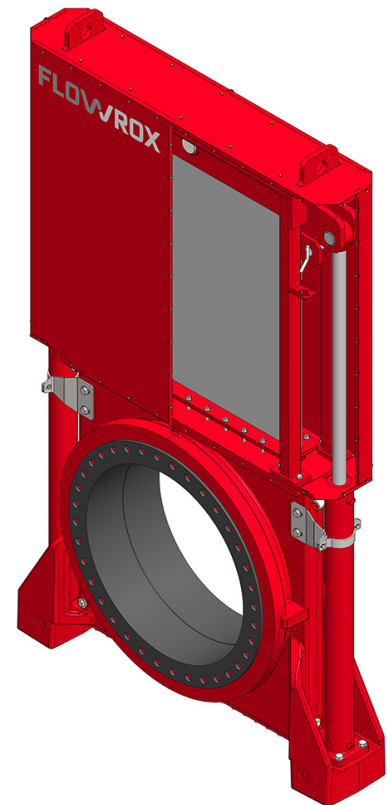
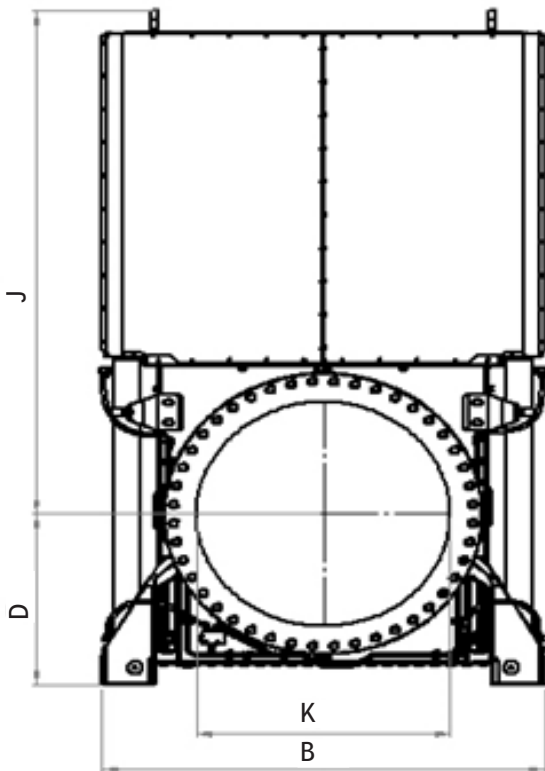




SKF DN900-1500 Slurry Knife Gate Valves

MAIN DIMENSIONS OF SKF VALVES

HYDRAULIC (H)



Valve size (DN)	B	C	D	J	K	Pressure (bar)	Weight (kg)
900	1850	469	805	x	900	10	x
1000	2060	512	880	x	1000	6	x
1050	2060	512	880	2482	1050	6	x
1200	2210	512	995	2783	1200	6	~4400
1350	2360	512	1030	3027	1350	4	~5000
1500	2510	512	1105	3272	1500	4	~5500

PN 10 and ANSI 150, others on request. Dimensions and weight are for guidance only - detailed drawings available on request. All dimensions in millimeters.

Information without engagement. All rights to changes without prior notice reserved.

